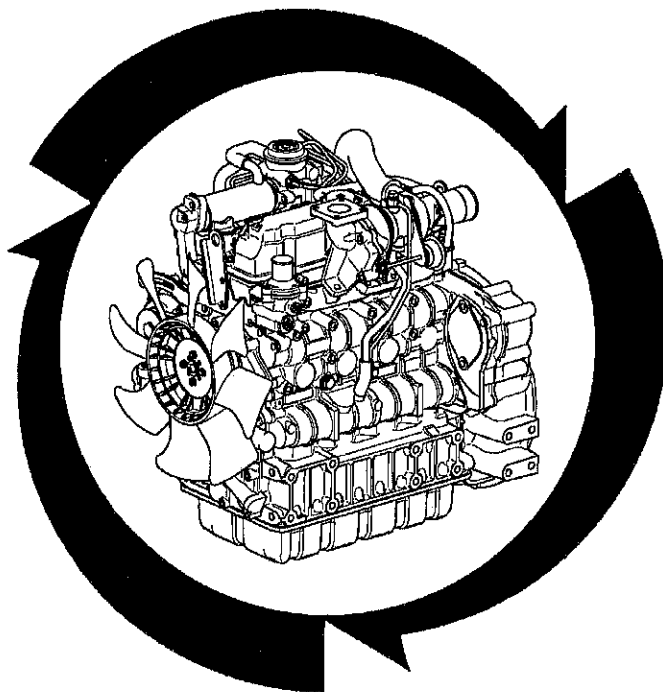


**ILLUSTRATED PARTS LIST
LISTE DES PIÈCES
STÜCK LISTE**

KUBOTA

**MODEL
MODELE
MODELL** **V2607-DI-TE3B-EU-Z8**

**DIESEL ENGINE
MOTEUR DIESEL
DIESEL MOTOREN**



Kubota

97898-75720
MAY
MAI 2008
MAI

NOTICE

This Parts List is for the following purposes.

1. When ordering parts, check with this Parts List to confirm the part number and the name of parts.
2. When making repairs, refer to the illustrations in this Parts List.
3. This Parts List is subject to change without notice.

NOTE

Utilisation de ce livre

1. A la commande d'une pièce, chercher la référence et le nom de la pièce.
2. Pour les réparations, employez les illustrations.
3. La liste des pièces peut-être modifiée sans préavis.

ACHTUNG

Die vorliegende Stückliste ist zur Verwendung der folgenden Fälle aufzubewahren:

1. Bei Bestellung der Teile anhand dieser Liste die Kennzahl und die Bezeichnung der Teile feststellen.
2. Bei Reparatur auf die Figur in der Stückliste Bezug nehmen.
3. Änderungen dieser Bestandteilliste vorbehalten.

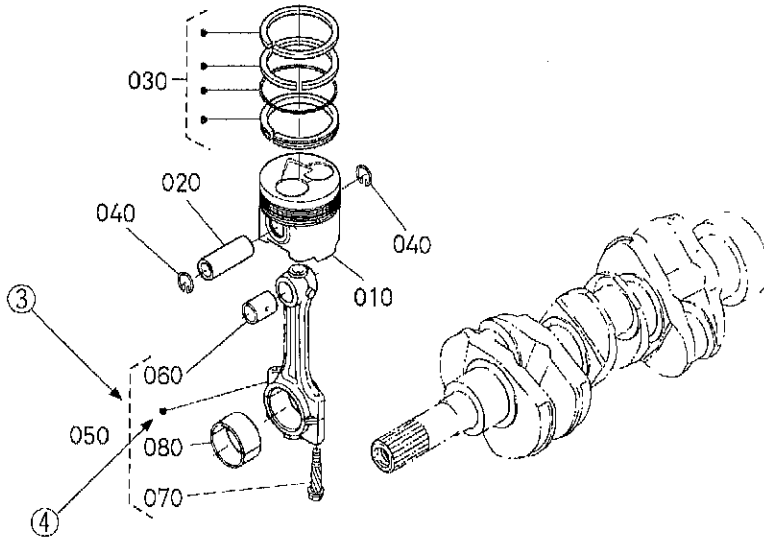
MODEL MODELE MODELL	CODE No. No. DE CODE CODE-Nr.
V2607-D1-TE3B-EU-Z8	1J700-20000

**INSTRUCTIONS
INSTRUCTION
ERKLÄRUNG**

①
0102 PISTON AND CRANKSHAFT
PISTON ET VILEBREQUIN
KOLBEN UND KURBELWELLE

②
[B]

⑩ → S.No. ; A: ≤ 15000, B: 14000 to 15000



REF No POS.No 81LD-Nr.	PART No. REFERENCE BESTELL.-Nr.	PART NAME	DESIGNATION	BEZEICHNUNG	QTY./S.No QTE./No.S. STUECK./S.Nr.		I.C.	REMARKS REMARQUES BEMERKUNGEN
					A	B		
010	15800-0000-0	PISTON	PISTON	KOLBEN	≤15000	≤15000		(Example-1)
010	15800-0000-2	PISTON	PISTON	KOLBEN	>=15001	>=15001		(Exemple-1)
020	15800-1000-0	PIN,PISTON	AXE DE PISTON	KOLBENBOLZEN	< 15000	≤16000		(Beispiel-1)
020	15800-1000-2	PIN,PISTON	AXE DE PISTON	KOLBENBOLZEN	>=15001	>=15001	≠	(Example-2)
030	15800-2000-0	ASSY PISTON RING	ENS.JEU DE SEGMENTS	KOLBENRINGE	≤15000	≤15000		(Exemple-2)
030	15830-2000-0	ASSY PISTON RING	ENS.JEU DE SEGMENTS	KOLBENRINGE	>=15001	>=16001	↔	(Beispiel-2)
								(Example-3)
								(Exemple-3)
								(Beispiel-3)

A:XXXX, B:XXXX

- ① Fig. No. Represents No. corresponding to each group name.
- ② Specifications The types and destinations of sister models are indicated. These indications are (for sister models) given to tell their relevant pages in this book.
- ③ Components The components of an assembly are identified by a bracket of dotted lines.
- ④ Point Indicates that the parts is not sold independently.
The assembly (Ref.No.050) containing the part needs to be ordered.
- ⑤ REF. No. Reference numbers are assigned to parts in the illustration.The code number of a part in the illustration can be identified by referring to the same reference number in the parts list.
- ⑥ Model name The name of the basic model is indicated in this column. Other applicable models are indicated on the "REMARKS" column ⑨.
- ⑦ S. No. Indicates a group of serial numbers to which a design change is applied.
(serial No.)

Engine Serial No.

7 J 0001
7 K A001

Lower 4 digits in Numerals or Alphabetical letter (A to Z) and Numerals (start 0001 to max Z999).
5th digit Alphabetical letter (Month of manufacture).

Month	1	2	3	4	5	6	7	8	9	10	11	12
	A,B	C,D	E,F	G,H	J,K	L,M	N,P	Q,R	S,T	U,V	W,X	Y,Z

6th digit Numerals or Alphabetical letter (Year of manufacture).

Year	1998	1999	2000	01	02	03	04	05	06	07	08	09	10	11
	W	X	Y	1	2	3	4	5	6	7	8	9	A	B

- ⑧ I. C. Indicates the interchangeability of parts due to design change.
(interchangeability)

Example-1 ← indicates that a new part can replace an old part, but not vice versa.
15800-0000-0 is applicable to the first serial number to S. No. 15000.
15800-0000-2 is applicable to the first serial number and above.
- Example-2 ≠ indicates that the new and old parts are not interchangeable.
15800-1000-0 is applicable to the first serial number to S. No. 15000.
15800-1000-2 is applicable to S. No. 15001 and above.
- Example-3 ↔ indicates that the new and old parts are interchangeable. Both 15800-2000-0 and 15830-2000-0 are applicable to the first serial number and above.
- ⑨ REMARKS 1 In this column, enter other applicable model names, dimensions and other special items.
- ⑩ REMARKS 2 The following expressions are used in NOTE for each group.
Machines' serial numbers are indicated as follows.
<=15000 Serial number below 15000.
>=15001 Serial number above 15001.
14000 to 15000 Serial number 14000 to 15000.
For some models, the above expressions may also be used REMARKS 1 ⑨.

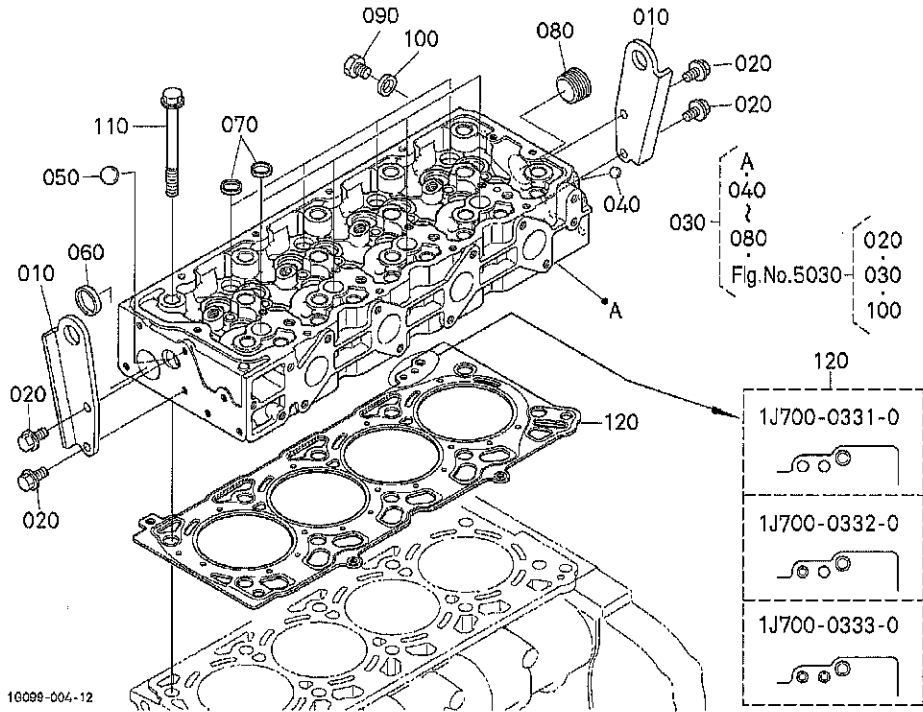
CONTENTS

[V2607-D1-TE3B-EU-Z8]

5000	CRANK CASE	1
5010	OIL PAN	2
5012	DIPSTICK AND GUIDE	3
5020	CYLINDER HEAD	4
5030	INLET VALVE AND EXHAUST VALVE	5
5040	ROCKER ARM SHAFT	6
5050	HEAD COVER	7
5100	FRONT COVER	8
5110	PISTON AND CRANKSHAFT	9
5120	CAMSHAFT AND IDLE GEAR SHAFT	11
5150	FLYWHEEL	12
5200	INJECTION PUMP UNIT	13
5202	INJECTION PUMP HOUSING	14
5210	INJECTION PUMP	15
5215	FUEL PUMP	16
5220	FUEL CAMSHAFT	17
5230	GOVERNOR	18
5240	FORK LEVER (GOVERNOR)	19
5250	RESTRICTION ADJUSTING BOLT	20
5310	FUEL FILTER	21
5400	NOZZLE HOLDER AND GLOW PLUG	23
5450	INJECTION PIPE	24
5500	ALTERNATOR	25
5510	ALTERNATOR (COMPONENT PARTS)	26
5540	STARTER	27
5550	STARTER (COMPONENT PARTS)	28
5555	STOP SOLENOID	29
5560	OIL SWITCH	30
5600	WATER FLANGE AND THERMOSTAT	31
5610	WATER PUMP	32
5670	PULLEY	33
5710	INLET MANIFOLD	34
5720	EXHAUST MANIFOLD	35
5723	EGR VALVE	36
5724	EGR COOLER	37
5726	TURBO CHARGER	38
5800	OIL PIPE (TURBO CHARGER)	39
5820	OIL COOLER	40
5865	GLOW LAMP AND TIMER	41
5880	ACCESSORIES AND SERVICE PARTS	42
5890	LABEL AND OPERATOR'S MANUAL	43
5910	UPPER GASKET KIT [OPTION]	44
5920	LOWER GASKET KIT [OPTION]	45
■	NUMERICAL INDEX	46

5020

CYLINDER HEAD
CULASSE
ZYLINDERKOPF



10098-004-12

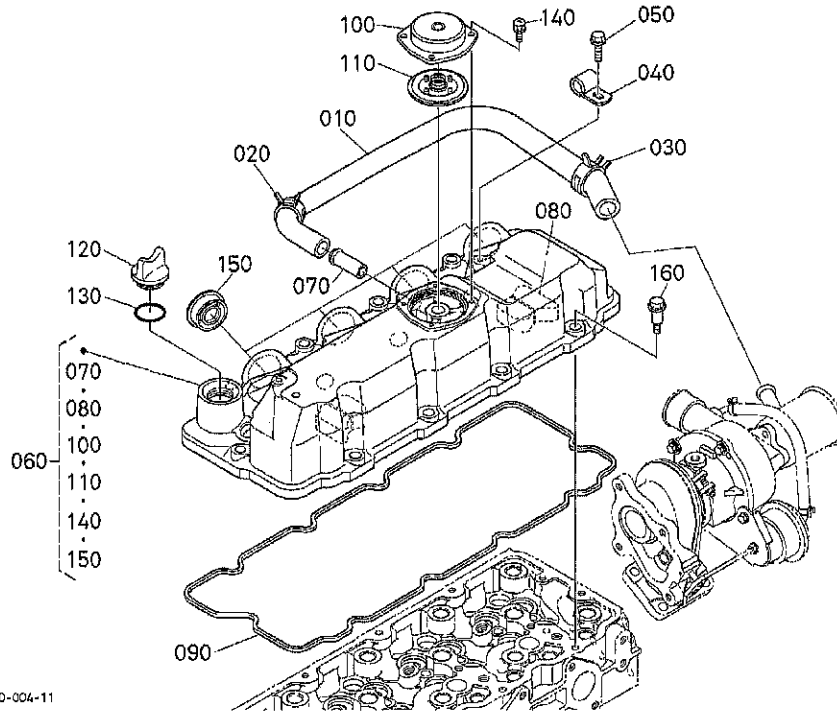
A: V2607-DI-TE3B-EU-Z8

REF. No. POS. No. BILD-Nr.	PART No. REFERENCE BESELL-Nr.	PART NAME	DESIGNATION	BEZEICHNUNG	Q'TY/S. No. Q'TE/No. S. STUECK/S. Nr.		I. C.	REMARKS REMARQUES BEMERKUNGEN
					A	B		
010	1J700-0174-0	HOOK, ENGINE	ANNEAU DE LEVAGE	MOTOR-ANKERHAKEN	2	-		
020	01755-50816	BOLT, FLANGE	VIS DE BUTEE	FLANSCHEN-BOLZEN	4	-		
030	1J700-0303-0	ASSY CYLINDER HEAD	ENS. CULASSE	GRP. ZYLINDERKOPF	1	-		
040	07715-00401	BALL	BILLE	KUGEL	1	-		
050	07715-01611	BALL	BILLE	KUGEL	1	-		
060	15321-9626-0	CAP, SEALING	PASTILLE	STOEPSSEL, ABDICHTUNG	1	-		
070	16851-9627-0	CAP, SEALING	PASTILLE	STOEPSSEL, ABDICHTUNG	8	-		
080	16683-9602-0	PLUG	BOUCHON	STOPFEN	1	-		
090	15109-3363-0	PLUG, DRAIN	BOUCHON DE VIDANGE	ENTLEERUNGSSTOPFEN	1	-		
100	15109-3366-0	GASKET	JOINT	DICHTUNGSPLATTE	1	-		
110	1J700-0345-0	BOLT, CYLINDER HEAD	VIS DE CYLINDRE	ZYLINDERKOPFSCHRAUBE	10	-		
120	1J700-0331-0	GASKET, CYLINDER HEAD	JOINT DE CULASSE	ZYLINDERKOPFDICHTUNG	1	-		0. 1mm
120	1J700-0332-0	GASKET, CYLINDER HEAD	JOINT DE CULASSE	ZYLINDERKOPFDICHTUNG	1	-		0. 2mm
120	1J700-0333-0	GASKET, CYLINDER HEAD	JOINT DE CULASSE	ZYLINDERKOPFDICHTUNG	1	-		0. 3mm

↔ Interchangeable; ≠ not interchangeable; ← new for old; → old for new

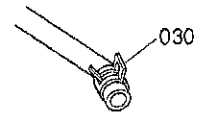
5050

HEAD COVER
COUVRE-CULASSE
ZYLINDERKOPF-DECKEL



1J700-004-11

OLD PART



1J710-806-10

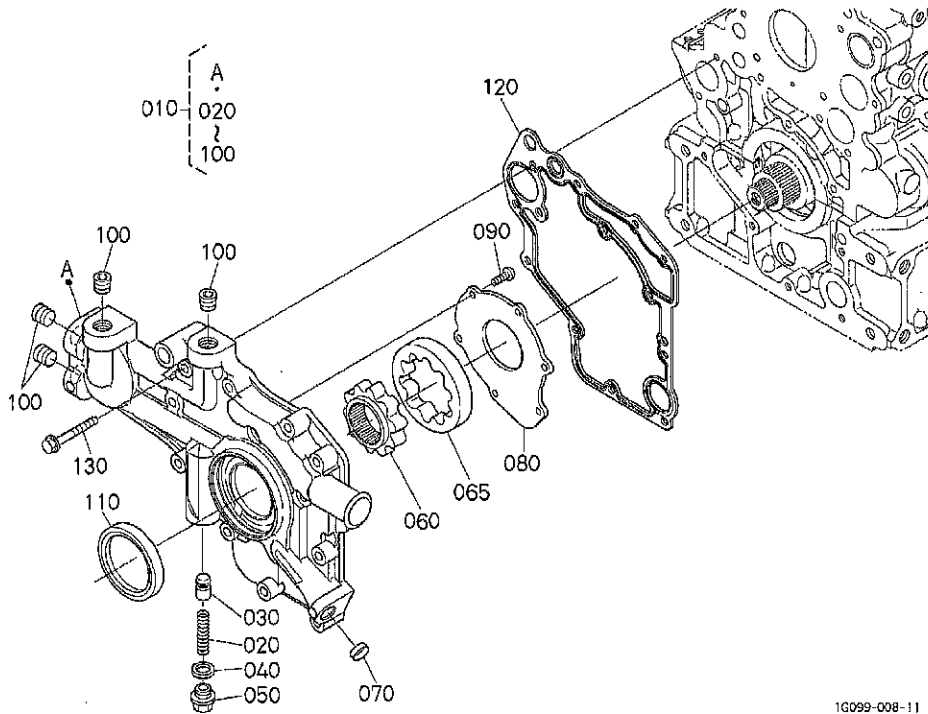
A: V2607-D1-TE3B-EU-Z8

REF. No. POS. No. BILD-Nr.	PART No. REFERENCE BESELL-Nr.	PART NAME	DESIGNATION	BEZEICHNUNG	Q' TY/S. No. Q' TE/No. S. STUECK/S. Nr.		I. C.	REMARKS REMARQUES BEMERKUNGEN
					A	B		
010	1J700-0551-0	TUBE, BREATHER	TUYAU DE REINFLARD	ENTLUFTUNGSROHR	1	-		
020	09318-88155	CLAMP, HOSE	COLLIER DE DURITE	SCHLAUCHBINDER	1	-		
030	16241-3351-0	BAND, PIPE	COLLIER DE TUYAU	ROHRBAND	1	-		#
030	09318-88180	CLAMP, HOSE	COLLIER DE DURITE	SCHLAUCHBINDER	1	-	↔	#
040	1J700-0558-0	CLAMP, BREATHER TUBE	ATTACHE	KLAMMER	2	-		
050	01755-50610	BOLT, FLANGE	VIS DE BUTEE	FLANSCHEN-BOLZEN	1	-		
060	1J700-1450-2	ASSY COVER, CYL. HEAD	ENS. COUVERCLE	ZYLINDERKOPFHAUBE	1	-		
070	17331-7334-2	PIPE, WATER RETURN	TUYAU RETOUR D'EAU	WASSERROHR	1	-		
080	16241-0567-0	ELEMENT, BREATHER	TAMIS DU REINFLARD	ENTLUFTUNGSELEMENT	3	-		
090	1J700-1452-0	GASKET, HEAD COVER	JOINT COUVRE-CULASSE	DICHTUNG, KOPFDECKEL	1	-		
100	16801-0512-0	COVER, BREATHER	COUVERCLE ASPIRATEUR	ENTLUEFTERDECKEL	1	-		
110	16911-0520-3	COMP. VALVE, BREATHER	ENS. ROBINET DE REIN.	GRP. HAHNENTLUFTUNGS	1	-		
120	E9151-3314-0	PLUG, OIL FILLER	BOUCHON, REMPLIS. H/L	OELEINFUELLSSTOPFEN	1	-		
130	04814-50300	O RING	JOINT TORIQUE	O RING	1	-		
140	03024-50510	SCREW, WITH WASHER	VIS	SCHRAUBE	4	-		
150	1C020-5381-0	SEAL, INJECTION PIPE	JOINT D'ETANCHEITE	DICHTUNGEN	4	-		
160	16911-9102-2	BOLT	VIS	BOLZEN	10	-		

↔ Interchangeable; ≠ not Interchangeable; ← new for old; → old for new

5100

FRONT COVER
COUVERTURE
VORDERE ABDECKUNG



1G099-008-11

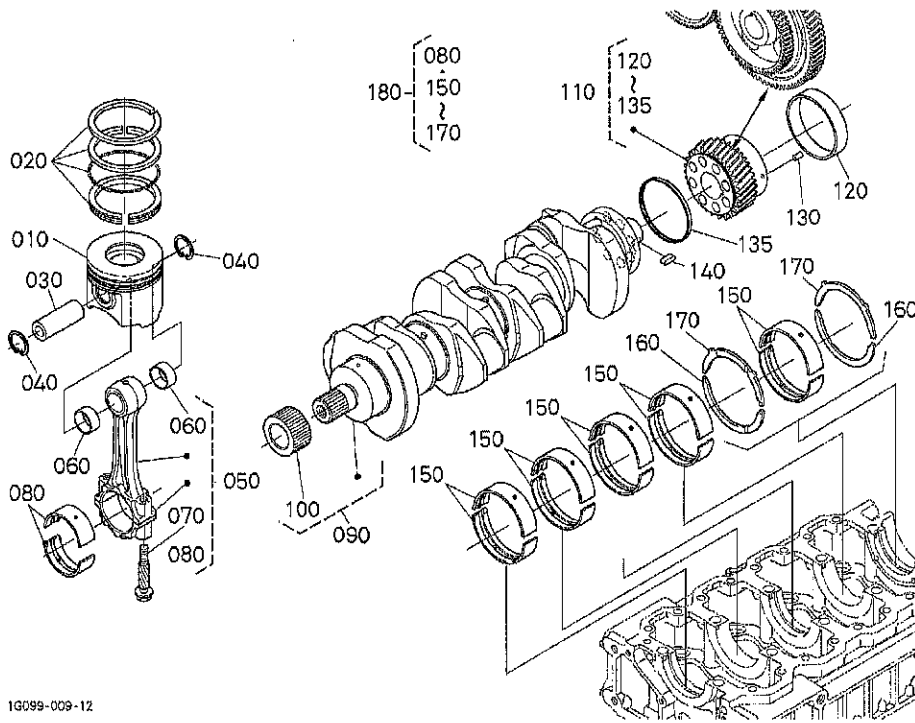
A:V2607-DI-TE3B-EU-Z8

REF. No. POS. No. BILD-Nr.	PART No. REFERENCE BESELL-Nr.	PART NAME	DESIGNATION	BEZEICHNUNG	Q'TY/S. No. Q'TE/No. S. STUECK/S. Nr.		I. C.	REMARKS REMARQUES BEMERKUNGEN
					A	B		
010	1J700-0422-0	ASSY COVER, FRONT	ENS. COUVERCLE AVANT	GRP. DECKEL	1	-		
020	1J700-3695-0	SPRING	RESSORT	FRUEHLING	1	-		
030	1C010-3692-2	VALVE, RELIEF	SOUPAPE	UEBERLAUFVENTIL	1	-		
040	15451-9667-0	GASKET	JOINT	DICHTUNGSPLATTE	1	-		
050	16286-3375-0	PLUG, DRAIN	BOUCHON DE VIDANGE	ENTLEERUNGSSTOPFEN	1	-		
060	1J700-3549-0	ROTOR, INNER	ROTORDEINNER	INNERROTOR	1	-		
065	1J700-3548-0	ROTOR, OUTER	ROTOR DE EXTERIEURE	ROTORAEUSSERE	1	-		
070	16851-9627-0	CAP, SEALING	PASTILLE	STOEPSSEL, ABDICHTUNG	1	-		
080	1J700-3513-0	COVER, OIL PUMP	COUVERCLE DE POMPE	DECKELOELPUMPE	1	-		
090	03017-50614	SCREW, BINDING	VIS	SCHRAUBE	6	-		
100	1C010-9602-0	PLUG	BOUCHON	STOPFEN	4	-		
110	1C020-0414-0	SEAL, OIL	BAGUE JOINT	OELDICHTUNGSRING	1	-		
120	1J700-0433-0	GASKET, FRONT COVER	JOINT DE COUVERCLE	DICHTUNGSPLATTE	1	-		
130	01754-50840	BOLT, FLANGE	VIS DE BUTEE	FLANSCHEN-BOLZEN	12 ≤=822999	-		#
130	1G410-9102-2	BOLT, FLANGE	VIS DE BUTEE	FLANSCHEN-BOLZEN	12 >=9A0001	-	←	#

↔ Interchangeable; ≠ not interchangeable; ← new for old; → old for new

5110

PISTON AND CRANKSHAFT
PISTON ET VILEBREQUIN
KOLBEN UND KURBELWELLE



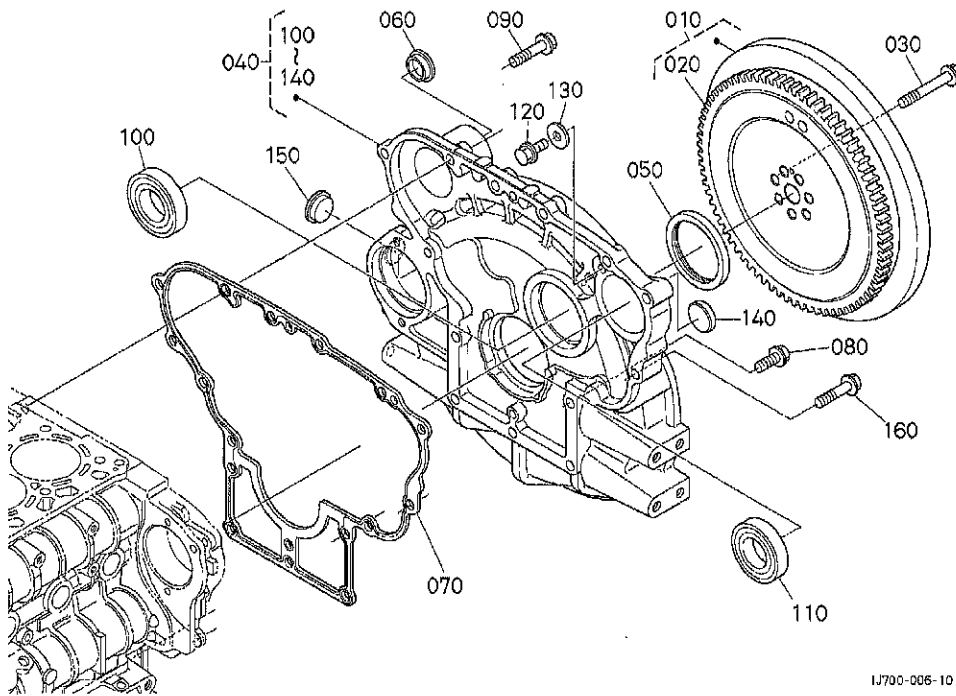
A:V2607-DI-TE3B-EU-Z8

REF. No. POS. No. BILB-Nr.	PART No. REFERENCE BESELL-Nr.	PART NAME	DESIGNATION	BEZEICHNUNG	Q'TY/S. No. Q'TE/No. S. STUECK/S. Nr.		I. C.	REMARKS REMARQUES BEMERKUNGEN
					A	B		
010	1J700-2111-0	PISTON	PISTON	KOLBEN	4	-		(05) STD
010	1J700-2190-0	PISTON	PISTON	KOLBEN	4	-		(05) +0.25mm
010	1J700-2112-0	PISTON	PISTON	KOLBEN	4	-		(00) STD
010	1J700-2191-0	PISTON	PISTON	KOLBEN	4	-		(00) +0.25mm
010	1J700-2113-0	PISTON	PISTON	KOLBEN	4	-		(10) STD
010	1J700-2192-0	PISTON	PISTON	KOLBEN	4	-		(10) +0.25mm
020	1J700-2105-0	ASSY PISTON RING	ENS. SEGMENT	GRP. KOLBENRING	4	-		STD
020	1J700-2109-0	ASSY PISTON RING	ENS. SEGMENT	GRP. KOLBENRING	4	-		+0.25mm
030	1J700-2131-0	PIN, PISTON	AXE DE PISTON	KOLBENBOLZEN	4	-		
040	04611-00260	GIR CLIP, INTERNAL	CIRCLIP	SPRENGRING	8	-		
050	1J700-2201-0	ASSY ROD, CONNECTING	ENS. BIELLE	TRIEBSTANGE KOMP	4	-		
060	1J700-2198-0	BUSH, PISTON PIN	BAGUE DE BIELLE	BUCHSE, KOLBENSTIFT	8	-		
070	15521-2214-2	BOLT, CONNECTING ROD	VIS DE BIELLE	BOLZEN	8	-		
080	1J700-2231-0	METAL, CRANKPIN	COUSSINET DE BIELLE	METALLTEIL, KUBELZAP.	4	-		STD BLUE SET
080	1J700-2233-0	METAL, CRANKPIN	COUSSINET DE BIELLE	METALLTEIL, KUBELZAP.	4	-		STD SET
080	1J700-2297-0	METAL, CRANKPIN	COUSSINET DE BIELLE	METALLTEIL, KUBELZAP.	4	-		-0.2mm SET
080	1J700-2298-0	METAL, CRANKPIN	COUSSINET DE BIELLE	METALLTEIL, KUBELZAP.	4	-		-0.4mm SET
090	1J700-2301-0	COMP. CRANKSHAFT	VILEBREQUIN COMPLET	KOMP. KURBELWELLE	1	-		
100	1G772-3563-0	GEAR, OIL PUMP DRIVE	PIGNON ENTRAIN. POMPE	GETRIEBE	1	-		
110	1J700-2410-3	ASSY GEAR, CRANKSHAFT	ENS. PIGNON DE VILEB.	GRP. GETRIEBE	1	-		
120	1J700-2328-0	SLEEVE, CRANK GEAR	MANCHON	MUFFE	1	-		
130	05012-00612	PIN, STRAIGHT	GOUPILLE CYLINDRIQUE	ZYLINDERSTIFT	1	-		
135	1J700-2327-0	SEAL, CRANK GEAR	JOINT	DICHTUNGEN	1	-		
140	1J700-9501-0	KEY, STRAIGHT	CLAVETTE	KEIL	1	-		
150	1J700-2347-0	METAL, CRANKSHAFT	COUSSINET DE VILEBR.	METALLTEIL	5	-		STD SET
150	1J700-2391-0	METAL, CRANKSHAFT	COUSSINET DE VILEBR.	METALLTEIL	5	-		-0.2mm SET
150	1J700-2392-0	METAL, CRANKSHAFT	COUSSINET DE VILEBR.	METALLTEIL	5	-		-0.4mm SET
160	1J700-2353-0	METAL, SIDE	COUSSINET DE LATERAL	METALLSEITENRING	2	-		STD
160	1J700-2395-0	METAL, SIDE	COUSSINET DE LATERAL	METALLSEITENRING	2	-		+0.2mm
160	1J700-2396-0	METAL, SIDE	COUSSINET DE LATERAL	METALLSEITENRING	2	-		+0.4mm

↔ Interchangeable; ≠ not interchangeable; ← new for old; → old for new

5150

FLYWHEEL
VOLANT MOTEUR
SCHWUNGRAD



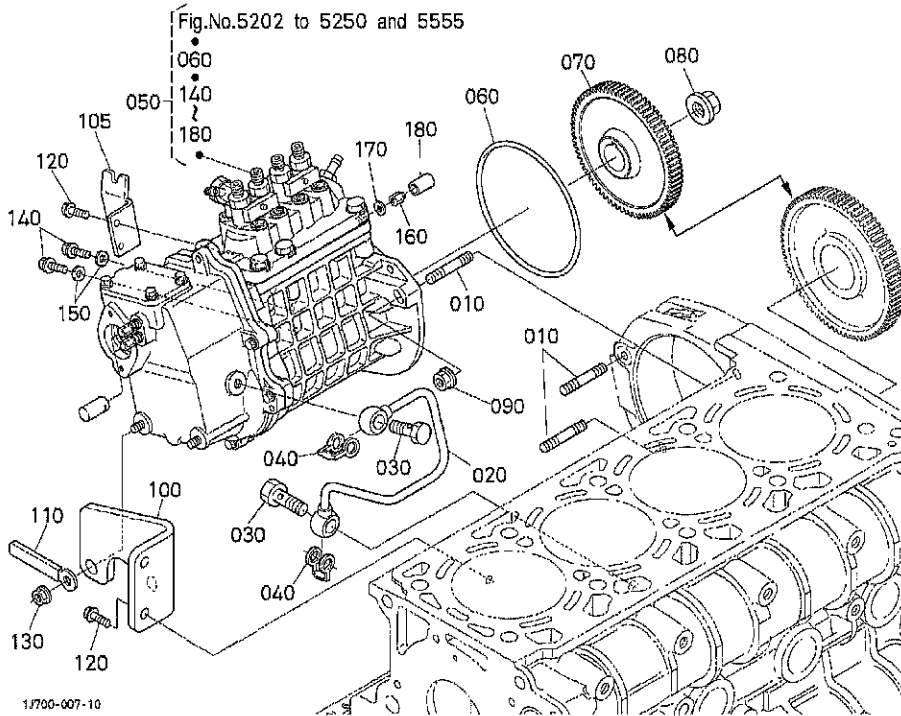
A:V2607-D1-TE3B-EU-Z8

REF. No. POS. No. BILD-Nr.	PART No. REFERENCE BESELL-Nr.	PART NAME	DESIGNATION	BEZEICHNUNG	Q' TY/S. No. Q' TE/No. S. STUECK/S. Nr.		I. C.	REMARKS REMARQUES BEMERKUNGEN
					A	B		
010	1J700-2501-0	COMP. FLYWHEEL	VOLANT MOTEUR COMP.	KOMP. SCHWUNGRAD	1	-		
020	1G777-6382-0	GEAR, RING	COURONNE DE DEMARRE.	ZAHNKRANZ	1	-		
030	1G772-2516-0	BOLT, FLYWHEEL	VIS DE VOLANT	BOLZEN, SCHWUNGRAD	7	-		
040	1J700-0460-0	ASSY HOUSING, F/WHEEL	ENS. LOGEMENT	RADKASTEN KOMP	1	-		
050	1J700-0446-0	SEAL, OIL	BAGUE JOINT	DELDICHTUNGSRING	1	-		
060	41092-2141-2	PLUG	BOUCHON	STOPFEN	1	-		
070	1J700-0463-0	GASKET, HOUSING	JOINT DE CARTER	DICHTUNGSPLATTE	1	-		
080	01774-51230	BOLT, FLANGE	VIS DE BUTEE	FLANSCHEN-BOLZEN	6 ≤=8Z7999	-		#
080	1G772-9103-2	BOLT, FLANGE	VIS DE BUTEE	FLANSCHEN-BOLZEN	6 ≥=9A0001	-	←	#
090	01774-51245	BOLT, FLANGE	VIS DE BUTEE	FLANSCHEN-BOLZEN	4	-		
100	1J700-1638-0	BEARING	ROULEMENT	LAGER	1	-		
110	1J700-2672-0	BEARING	ROULEMENT	LAGER	1	-		
120	01774-51016	BOLT, FLANGE	VIS DE BUTEE	FLANSCHEN-BOLZEN	1	-		
130	04015-60100	WASHER, PLAIN	RONDELLE FREIN	SCHEIBE	1	-		
140	36200-2123-0	PLUG	BOUCHON	STOPFEN	1	-		
150	1C010-0468-0	COVER	COUVERCLE	DECKEL	1	-		
160	01774-51280	BOLT, FLANGE	VIS DE BUTEE	FLANSCHEN-BOLZEN	3	-		

↔ Interchangeable; ≠ not Interchangeable; ← new for old; → old for new

5200

INJECTION PUMP UNIT
UNITE DE POMPE D' INJECTION
ANZAHL EINSPRITZENPUMPE



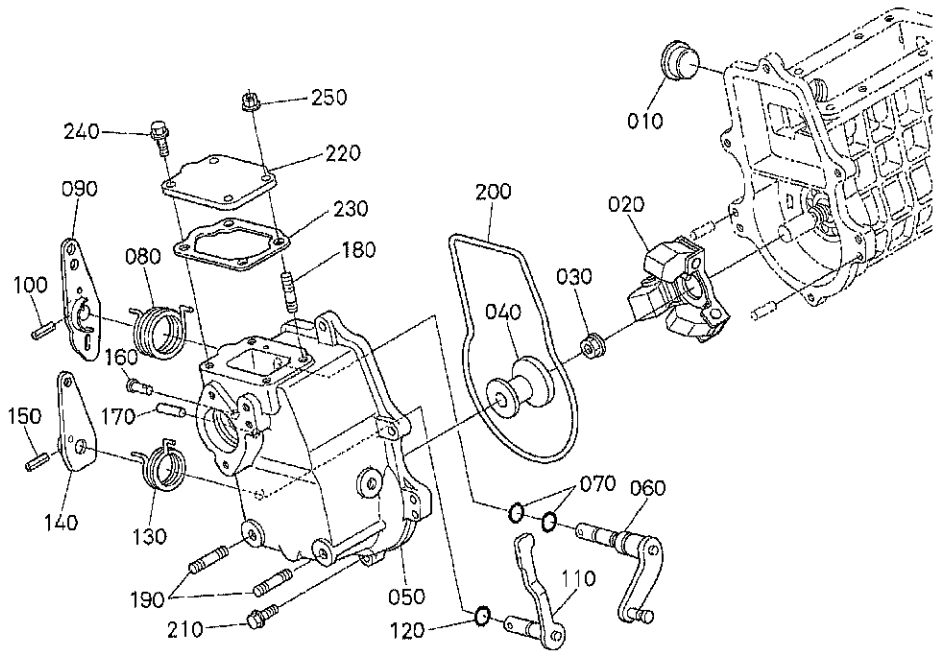
A: V2607-D1-TE3B-EU-Z8

REF. No. POS. No. BILD-Nr.	PART No. REFERENCE BESELL-Nr.	PART NAME	DESIGNATION	BEZEICHNUNG	Q' TY/S. No. Q' TE/No. S. STUECK/S. Nr.		I. C.	REMARKS REMARQUES BEMERKUNGEN
					A	B		
010	1J700-9149-0	STUD	GOUJON	STEBBOLZEN	3	-		
020	1J700-3332-0	COMP. PIPE, IP OIL	COMP. TUYAU	KOMP. ROHR	1	-		
030	17371-9580-0	BOLT, EYE JOINT	VIS	AUGBOLZEN	2	-		
040	10020-9665-0	GASKET	JOINT	DICHTUNGSPLATTE	2	-		
050	1J700-5010-0	KIT PUMP, INJECTION	ENS. POMPE D' INJECTIO	GRP. EINSPRITZPUMPE	1	-		#
050	1J700-5010-2	KIT PUMP, INJECTION	ENS. POMPE D' INJECTIO	GRP. EINSPRITZPUMPE	1	-		#
060	16772-5213-0	GASKET, INJ. PUMP	JOINT DE POMPE D' IN.	DICHTUNG EINSPRITZEN	1	-		≠
070	1J700-5115-0	GEAR, INJECTION PUMP	ENGRE. POMPE D' INJEC.	GETRIEBEZAHNRAD	1	-		
080	16772-1620-0	NUT, INJ. PUMP GEAR	ECROU	MUTTER	1	-		
090	02751-50080	NUT, FLANGE	ECROU A EMBASE	FLANSCHEN-MUTTER	3	-		
100	1J700-5162-0	BRACKET, INJ. PUMP	SUPPORT	HALTERPUMPE	1	-		
105	16777-5748-0	BRACKET, ACCEL. CABLE	SUPPORT DE FER	HALTERDRAHT	1	-		
110	13824-6758-0	CLAMP, CORD	ATTACHE-FILS	KABELKLEMME	1	-		
120	01754-50814	BOLT, FLANGE	VIS DE BUTEE	FLANSCHEN-BOLZEN	4	-		
130	02751-50080	NUT, FLANGE	ECROU A EMBASE	FLANSCHEN-MUTTER	2	-		
140	01754-50814	BOLT, FLANGE	VIS DE BUTEE	FLANSCHEN-BOLZEN	2	-		
150	15021-3366-0	GASKET	JOINT	DICHTUNGSPLATTE	2	-		
160	15521-9233-0	NUT	ECROU	MUTTER	1	-		
170	15021-3366-0	GASKET	JOINT	DICHTUNGSPLATTE	1	-		
180	15521-5427-0	CAP	BOUCHON	KAPPE	1	-		

↔ Interchangeable: ≠ not Interchangeable: ← new for old: → old for new

5230

GOVERNOR
REGULATEUR DE VITESSES
REGLER



1J700-008-10

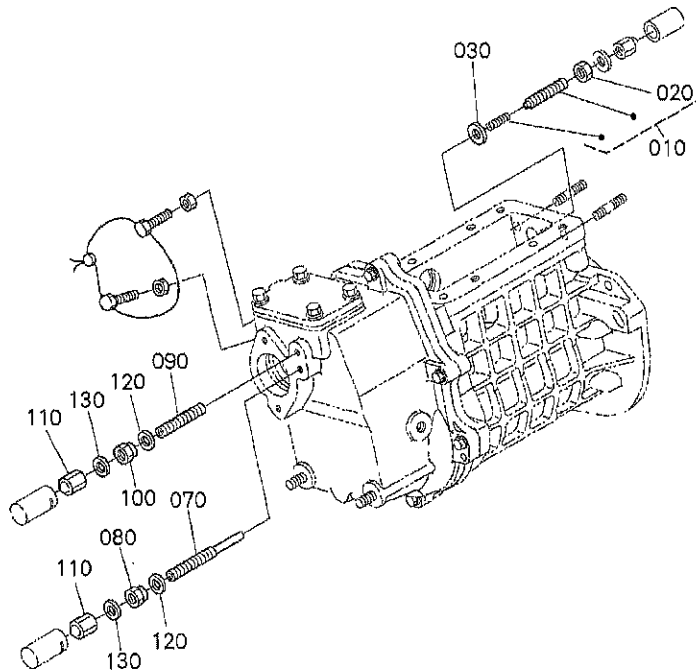
A:V2607-D1-TE3B-EU-Z8

REF. No. POS. No. BILD-Nr.	PART No. REFERENCE BESELL-Nr.	PART NAME	DESIGNATION	BEZEICHNUNG	Q'TY/S. No. Q'TE/No. S. STUECK/S. Nr.		I. C.	REMARKS REMARQUES BEMERKUNGEN
					A	B		
010	1C010-5675-0	COVER, GOVERNOR ROD	COUVERCLE DE TIGE	DECKELSCHENKEL	1	-		
020	1G777-5505-0	ASSY WEIGHT, GOVERNOR	ENS. POIDS	FLIEHGEWICHT	1	-		
030	02771-50120	NUT, FLANGE	ECROU A EMBASE	FLANSCHEN-MUTTER	1	-		
040	1G772-5545-0	SLEEVE, GOVERNOR	BAGUE DE REGULATEUR	REGLERMUFFE	1	-		
050	1G772-5510-0	HOUSING, GOVERNOR	LOGEMENT DE REGULAT	LAGERUNGREGLER	1	-		
060	1G772-5602-0	ASSY LEVER (GOVERNOR)	ENS. LEVIER (REGULAT.)	GRP. HEBEL (REGLER)	1	-		
070	04814-10070	O RING	JOINT TORIQUE	O RING	2	-		
080	1G772-5751-0	SPRING	RESSORT	FRUEHLING	1	-		
090	1G777-5715-0	LEVER, SPEED CONTROL	LEVIER DE VIT-CONTR.	DREHZAHVERSTELHEBEL	1	-		
100	05411-00416	PIN, SPRING	GOUPILLE-RESSORT	STIFT, FRUEHLING	1	-		
110	1G772-5770-0	ASSY LEVER, ENG. STOP	LEVIER D'ARRET COMP.	MOTORABSTELLENHEBEL	1	-		
120	04814-10070	O RING	JOINT TORIQUE	O RING	1	-		
130	1G772-5792-0	SPRING, RETURN	RESSORT DE RAPPEL	RUECKZUGFEDER	1	-		
140	1G772-5762-0	LEVER, ENGINE STOP	LEVIER D'ARRET	MOTOR-STOPHEBEL	1	-		
150	05411-00416	PIN, SPRING	GOUPILLE-RESSORT	STIFT, FRUEHLING	1	-		
160	15221-5628-0	PIN, START SPRING	GOUPILLE DU RESSORT	STARTFEDERSTIFT	1	-		
170	1C010-9451-0	PIN, STRAIGHT	GOUPILLE CYLINDRIQUE	ZYLINDERSTIFT	1	-		
180	15841-9151-0	STUD	GOUJON	STEBOLZEN	1	-		
190	01518-50820	STUD	GOUJON	STEBOLZEN	2	-		
200	1C010-5577-0	GASKET, GOV. HOUSING	JOINT DE LOGEMENT	DICHTUNGLAGERUNGREG.	1	-		
210	01754-50618	BOLT, FLANGE	VIS DE BUTEE	FLANSCHEN-BOLZEN	6	-		
220	1G730-5454-0	COVER, BOOST COM. HOUS	COUV. DE COMPENS.	DECKEL	1	-		
230	1A021-5721-2	GASKET, PLATE	JOINT	DICHTUNGSPLATTE	1	-		
240	01754-50612	BOLT, FLANGE	VIS DE BUTEE	FLANSCHEN-BOLZEN	3	-		
250	02751-50060	NUT, FLANGE	ECROU A EMBASE	FLANSCHEN-MUTTER	1	-		

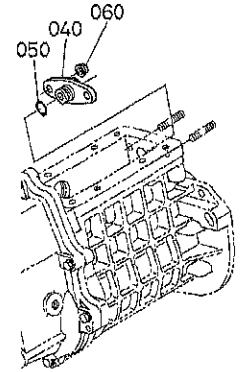
↔ Interchangeable; ≠ not interchangeable; ← new for old; → old for new

5250

RESTRICTION ADJUSTING BOLT
BOULON D'AJUSTEMENT DE RESTRICTION
BOLZENFEINEINST



OLD PART



1G099-019-11

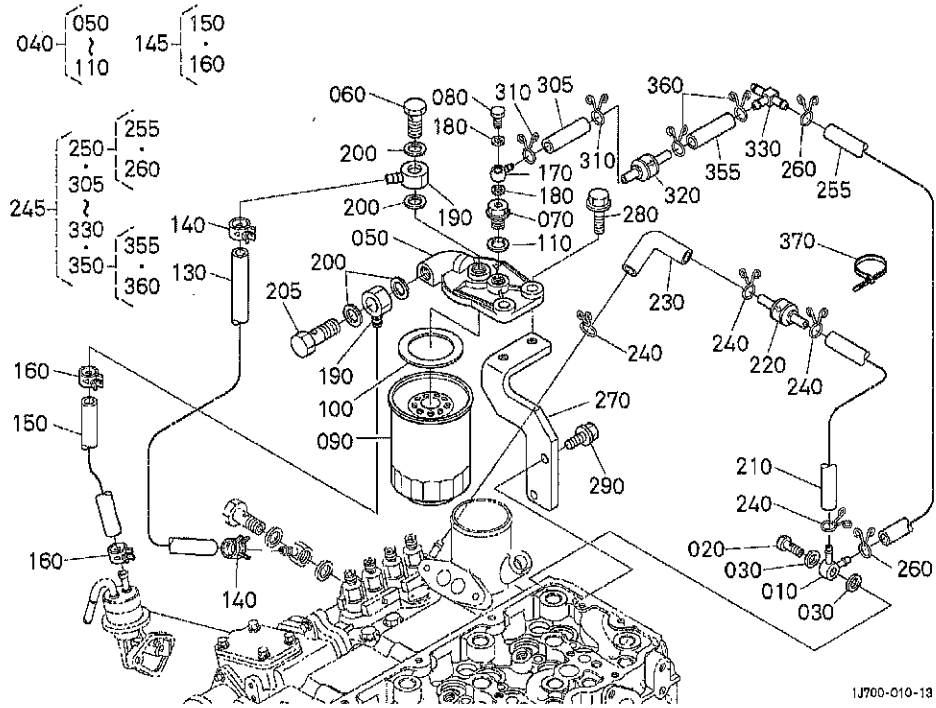
1J710-802-10

A: V2607-DI-TE3B-EU-Z8

REF. No. POS. No. BILD-Nr.	PART No. REFERENCE BESELL-Nr.	PART NAME	DESIGNATION	BEZEICHNUNG	QTY/S. No. Q' TE/No. S. STUECK/S. Nr.		I. C.	REMARKS REMARQUES BEMERKUNGEN
					A	B		
010	1J700-5410-0	ASSY BOLT, ADJUSTMENT	ENS. BOULON AU POINT	GRP. BOLZENFEINEINST.	1	-		#
010	1J700-5410-2	ASSY BOLT, ADJUSTMENT	ENS. BOULON AU POINT	GRP. BOLZENFEINEINST.	1	-	←	#
020	15401-9201-0	NUT	ECROU	MUTTER	1	-		
030	15021-3366-0	GASKET	JOINT	DICHTUNGSPLATTE	1	-		
040	1G772-5433-0	BRACKET, ADJ. BOLT	SUPPORT	HALTER	1	-		
050	1J700-5434-0	O RING	JOINT TORIQUE	O RING	1	-		
060	02751-50060	NUT, FLANGE	ECROU A EMBASE	FLANSCHEN-MUTTER	2	-		
070	1G772-5415-0	BOLT, ADJUSTING	VIS REGLAGE	EINSTELLBOLZEN	1	-		
080	1G031-5421-0	NUT, LOCK	CONTRE-ECROU	MUTTER	1	-		
090	1J750-5412-0	BOLT, ADJUSTING	VIS REGLAGE	EINSTELLBOLZEN	1	-		
100	1G031-5421-0	NUT, LOCK	CONTRE-ECROU	MUTTER	1	-		
110	15852-9233-0	NUT	ECROU	MUTTER	2	-		
110	15841-1462-0	NUT	ECROU	MUTTER	2	-		↔
120	15601-9665-0	GASKET	JOINT	DICHTUNGSPLATTE	4	-		
120	15601-9665-0	GASKET	JOINT	DICHTUNGSPLATTE	4	-		
130	15601-9665-0	GASKET	JOINT	DICHTUNGSPLATTE	2	-		

↔ Interchangeable; ≠ not interchangeable; ← new for old; → old for new

5310 FUEL FILTER FILTRE A CARBURANT KRAFTSTOFFILTER



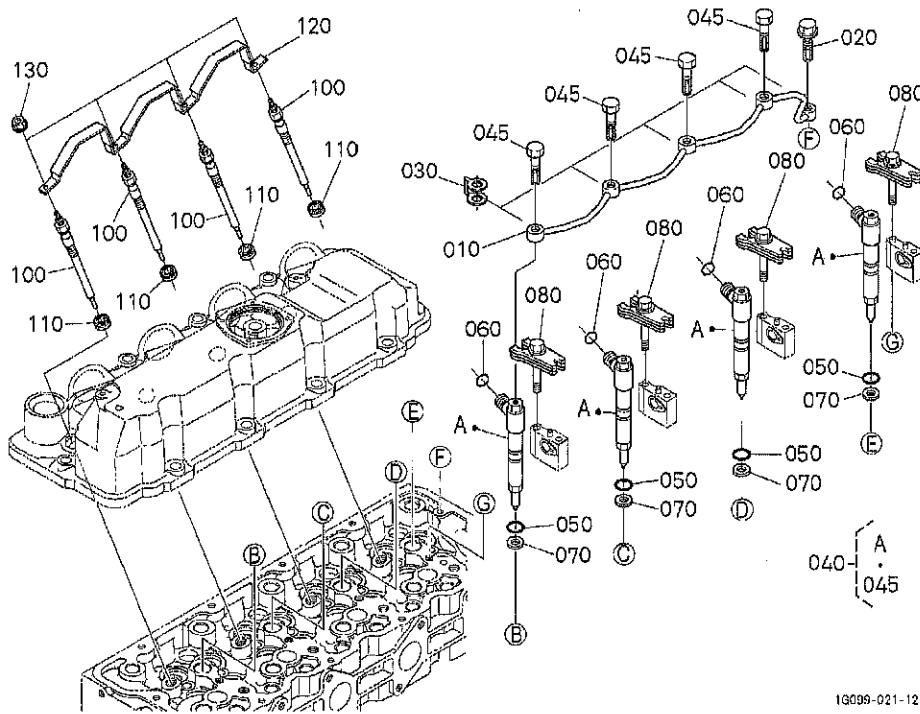
A:V2607-DI-TE3B-EU-Z8

REF. No. POS. No. BILD-Nr.	PART No. REFERENCE BESELL-Nr.	PART NAME	DESIGNATION	BEZEICHNUNG	Q'TY/S. No. Q'TE/No. S. STUECK/S. Nr.		I. C.	REMARKS REMARQUES BEMERKUNGEN
					A	B		
010	1G772-9569-0	JOINT	JOINT	ROHRSCHALTUNG	≤8M2999	-		
010	1J700-9569-0	JOINT	JOINT	ROHRSCHALTUNG	≥8N0001	-	←	
020	15471-9579-0	BOLT, EYE JOINT	VIS	AUGBOLZEN	-	-		
030	15021-3366-0	GASKET	JOINT	DICHTUNGSPLATTE	2	-		
040	1C010-4301-0	ASSY FILTER, FUEL	ENS. FILTRE, COMBUST	GRP. KRAFTSTOFFILTER	1	-		
050	16541-4321-0	COVER	COUVERCLE	DECKEL	1	-		
060	16541-9579-0	BOLT, JOINT	VIS	BOLZEN, ABSCHLUSS	1	-		
070	1J750-9580-0	CONNECTOR	CONNECTEUR	ANSCHLUBE	1	-		
080	1J750-9581-0	CONNECTOR	CONNECTEUR	ANSCHLUBE	1	-		
090	16631-4356-0	ELEMENT, FUEL FILTER	ELEMENT DE FILTRE	FILTREINSATZ	1	-		
090	HH166-4356-0	ELEMENT, FUEL FILTER	ELEMENT DE FILTRE	FILTREINSATZ	1	-	← #	
100	16541-4333-0	GASKET	JOINT	DICHTUNGSPLATTE	1	-		
110	17105-3368-0	GASKET	JOINT	DICHTUNGSPLATTE	1	-		
120	---	BLANK	BLANC	LEERE SPALTE	-	-		
130	09661-70200	TUBE, FUEL	TUYAU	KRAFTSTOFFROHR	1	-		
140	14911-4275-0	CLIP, PIPE	ATTACHE	ROHRKLEMME	2	-		
145	1J700-4202-0	ASSY TUBE, FUEL	ENS. TUYAU CARBURANT	GRP. KRAFTSTOFFROHR	≥8U0001	-	#	
150	09661-70270	TUBE, FUEL	TUYAU	KRAFTSTOFFROHR	≤8T2999	-	#	
150	09661-70240	TUBE, FUEL	TUYAU	KRAFTSTOFFROHR	≥8U0001	-	← #	
160	14911-4275-0	CLIP, PIPE	ATTACHE	ROHRKLEMME	2	-		
170	14117-4256-0	JOINT, PIPE	RACCORD DE TUYAU	VERBINDUNGSSTUECK	≤8T2999	-	#	
170	1J720-9569-0	JOINT	JOINT	ROHRSCHALTUNG	≥8U0001	-	← #	
180	15021-3366-0	GASKET	JOINT	DICHTUNGSPLATTE	2	-		
190	15401-9569-0	JOINT, EYE	RACCORD	VERBINDUNGSSTUECK	2	-		
200	17105-3368-0	GASKET	JOINT	DICHTUNGSPLATTE	4	-		
205	16541-9579-0	BOLT, JOINT	VIS	BOLZEN, ABSCHLUSS	1	-		
210	09661-40100	TUBE, FUEL	TUYAU	KRAFTSTOFFROHR	1	-		
220	1C010-4246-0	VALVE, FUEL CHECK	ROBINET CRAQUELRE	HAHNBRENNSTOFFRISS	1	-		
230	09661-40040	TUBE, FUEL	TUYAU	KRAFTSTOFFROHR	1	-		
240	14971-4275-0	CLIP, PIPE	ATTACHE	ROHRKLEMME	4	-		

↔ Interchangeable; ≠ not interchangeable; ← new for old; → old for new

5400

NOZZLE HOLDER AND GLOW PLUG
 PORTE-INJECTEUR ET BOUGIE DE PRECHAUFFAGE
 DUESENHALTER UND GLEUHKERZE



1G099-021-12

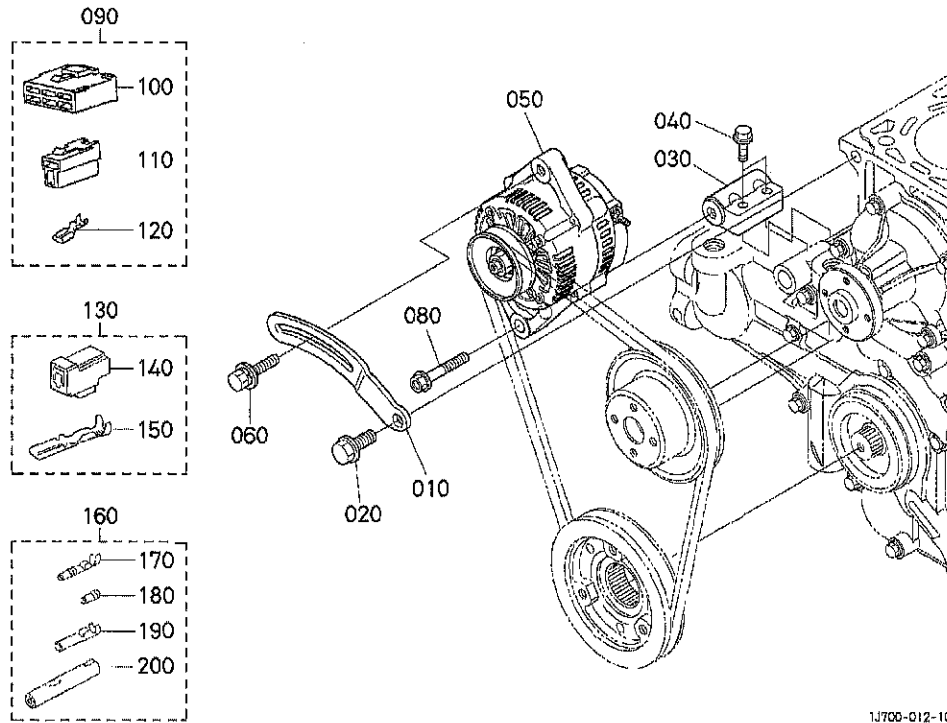
A: V2607-D1-TE3B-EU-Z8

REF. No. POS. No. BILD-Nr.	PART No. REFERENCE BESELL-Nr.	PART NAME	DESIGNATION	BEZEICHNUNG	Q'TY/S. No. G'TE/No. S. STUECK/S.Nr.		I. C.	REMARKS REMARQUES BEMERKUNGEN
					A	B		
010	1J700-4250-0	ASSY PIPE, OVER FLOW	ENS. TUYAU TROP-PLEIN	GRP. UEBERLAUFROHR	1	-		
020	1C020-9581-0	BOLT, EYE JOINT	VIS	AUGBOLZEN	1	-		
030	1C020-9673-0	GASKET	JOINT	DICHTUNGSPLATTE	5	-		
040	1J700-5300-0	ASSY HOLDER, NOZZLE	ENS. PORTE-INJECTEUR	GRP. DUESENHALTER	4	-		
045	1G796-5354-0	BOLT, EYE	VIS A OEIL	AUGBOLZEN	4	-		
050	1G772-5349-0	O RING	JOINT TORIQUE	O RING	4	-		
060	04814-05110	O RING	JOINT TORIQUE	O RING	4	-		
070	1G796-5362-0	GASKET	JOINT	DICHTUNGSPLATTE	4	-		
080	1J700-5343-0	ASSY CLAMP, INJECTION	ENS. COLLIER, SERRAGE	EINSPANNBAND	4	-		
090		BLANK	BLANC	LEERE SPALTE	-	-		
100	1J700-6551-0	GLOW PLUG	BOUGIE, PRE-CHAUFFAGE	GLEUHSTOEPESEL	4	-		ORDER BY REF. No. 100
100	1J700-6551-2	GLOW PLUG	BOUGIE, PRE-CHAUFFAGE	GLEUHSTOEPESEL	4	-	←	NEW PART
110	1G772-6550-0	SEAL, GLOW PLUG	JOINT DE ETANCHEITE	DICHTUNGEN	4	-		
120	1J700-6556-0	CORD, GLOW PLUG	FILDEBOUG. PRECHAUFF.	GLEUHKERZEKORD	1	-		
130	02761-50040	NUT, FLANGE	ECROU A EMBASE	FLANSCHEN-MUTTER	4	-		

↔ Interchangeable; ≠ not Interchangeable; ← new for old; → old for new

5500

ALTERNATOR
ALTERNATEUR
WECHSELSTROMMASCHINE



1J700-012-10

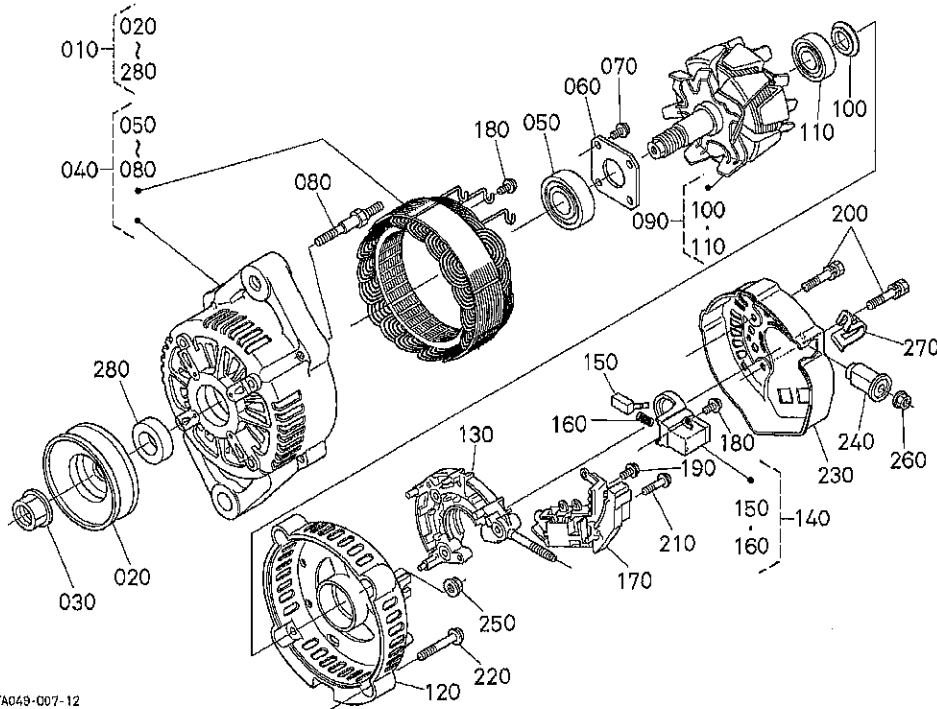
A: V2607-D1-TE3B-EU-Z8

REF. No. POS. No. BILD-Nr.	PART No. REFERENCE BESELL-Nr.	PART NAME	DESIGNATION	BEZEICHNUNG	Q' TY/S. No. Q' TE/No. S. STUECK/S. Nr.		I. C.	REMARKS REMARQUES BEMERKUNGEN
					A	B		
010	1J701-6442-0	STAY, DYNAMO	TENDEUR	DYNAMOSTANGE	1	-		#
010	1J701-6442-2	STAY, DYNAMO	TENDEUR	DYNAMOSTANGE	1	-		#
020	01774-51220	BOLT, FLANGE	VIS DE BUTEE	FLANSCHEN-BOLZEN	1	-		
030	1G772-6435-0	SUPPORT, DYNAMO	SUPPORT DE DYNAMO	DYNAMOSTANGE	1	-		
040	01755-50830	BOLT, FLANGE	VIS DE BUTEE	FLANSCHEN-BOLZEN	2	-		
050	3A611-7401-2	ALTERNATOR	ALTERNATEUR	WECHSELSTROMDYN.	1	-		12V 60A
060	01127-50825	BOLT	VIS	BOLZEN	1	-		
070		BLANK	BLANC	LEERE SPALTE	-	-		
080	01774-51045	BOLT, FLANGE	VIS DE BUTEE	FLANSCHEN-BOLZEN	1	-		
090	19883-6583-0	ASSY COUPLER	ENS. COUPLEUR	GRP. KUPPLER	1	-		
100	19872-6584-0	CONNECTOR	CONNECTEUR	ANSCHLUBE	1	-		
110	19872-6588-0	CONNECTOR	CONNECTEUR	ANSCHLUBE	1	-		
120	19237-6591-0	TERMINAL	DEBORNE	ANSCHLUBKLEMME	7	-		
130	1C010-6583-0	ASSY COUPLER	ENS. COUPLEUR	GRP. KUPPLER	1	-		
140	1C010-6588-0	CONNECTOR	CONNECTEUR	ANSCHLUBE	1	-		
150	1C010-6591-0	TERMINAL	BORNE	ANSCHLUBKLEMME	2	-		
160	19268-6578-0	ASSY TERMINAL	ENS. TERMINAL	GRP. ANSCHLUBKLEMME	1	-		
170	68271-6591-0	TERMINAL	DEBORNE	ANSCHLUBKLEMME	1	-		
180	68271-6592-0	SLEEVE	MANCHON	MUFFE	1	-		
190	19268-6593-0	TERMINAL	DEBORNE	ANSCHLUBKLEMME	1	-		
200	19268-6587-0	SLEEVE	MANCHON	MUFFE	1	-		

↔ Interchangeable; ≠ not interchangeable; ← new for old; → old for new

5510

ALTERNATOR (COMPONENT PARTS)
 ALTERNATEUR (PARTIES COMPOSANTES)
 WECHSELSTROMMASCHINE (EINZEL-TEIL)



TAC49-007-12

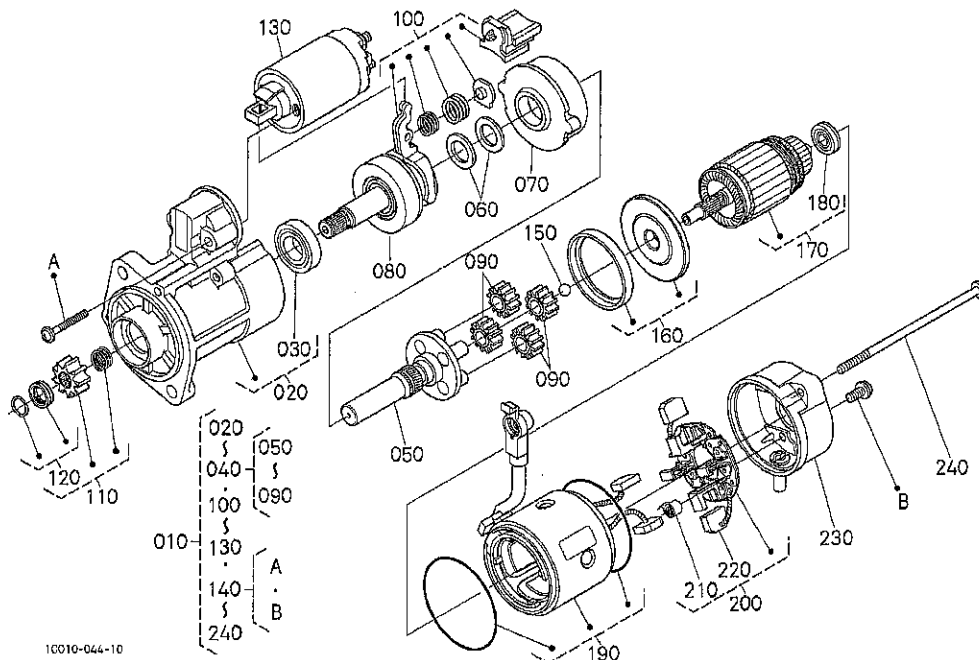
A: V2607-DI-TE3B-EU-Z8

REF. No. PDS. No. BILD-Nr.	PART No. REFERENCE BESELL-Nr.	PART NAME	DESIGNATION	BEZEICHNUNG	Q'TY/S. No. Q'TE/No. S. STUECK/S. Nr.		I. C.	REMARKS REMARQUES BEMERKUNGEN
					A	B		
010	3A611-7401-2	ALTERNATOR	ALTERNATEUR	WECHSELSTROMDYN.	1	-		
020	16427-6411-0	PULLEY, ALTERNATOR	POULIE ALTERNATEUR	SCHEIBEWECHSELSTROM.	1	-		
030	15881-9201-0	NUT	ECROU	MUTTER	1	-		
040	TA043-7403-0	FRAME, DRIVE END	BATI	ANTRIEBSRAHMEN	1	-		
050	16652-6478-0	BEARING, BALL	ROULEMENT A BILLES	KUGELLAGER	1	-		
060	15881-6471-0	PLATE, RETAINER	PLAQUE RETENUE	HALTEPLATTE	1	-		
070	15881-9301-0	SCREW, ROUND HEAD	VIS A TETE RONDE	RUNDKOPFSCHRAUBE	4	-		
080	15881-6426-0	BOLT, THROUGH	VIS, PASSANT	DURCHGEHENDERBOLZEN	2	-		
090	TA043-6404-0	ROTOR	ROTOR	ROTOR	1	-		
100	15881-6480-0	COVER, BEARING	COUVERCLE	DECKEL	1	-		
110	16652-6477-0	BEARING, BALL	ROULEMENT A BILLES	KUGELLAGER	1	-		
120	17369-6406-0	FRAME, END	BATI	RAHMEN	1	-		
130	TA043-6485-0	HOLDER	SUPPORT	HALTER	1	-		
140	16652-6431-0	HOLDER, BRUSH	PORTE-BALAI	BUERSTEN HALTER	1	-		
150	15881-6409-0	BRUSH	PATTE D' ATTACHE	BUERSTE	2	-		
160	15881-6433-0	SPRING, BRUSH	RESSORT DE BALAI	SCHLEIFBUERSTENFEDER	2	-		
170	1K531-6460-2	ASSY REGULATOR	REGULATEUR	REGULATOR	1	-		
180	15881-9303-0	SCREW, ROUND HEAD	VIS A TETE RONDE	RUNDKOPFSCHRAUBE	6	-		
190	15881-9304-0	SCREW, ROUND HEAD	VIS A TETE RONDE	RUNDKOPFSCHRAUBE	1	-		
200	15881-9104-0	BOLT	VIS	BOLZEN	3	-		
210	15881-9302-0	SCREW, ROUND HEAD	VIS A TETE RONDE	RUNDKOPFSCHRAUBE	2	-		
220	15881-9105-0	BOLT	VIS	BOLZEN	2	-		
230	17369-6423-0	COVER, END	PALIER ARRIERE	DECKEL	1	-		
240	15881-6490-0	BUSH, INSULATION	BAGUE ISOLANTE	BUCHSE	1	-		
250	15881-9202-0	NUT	ECROU	MUTTER	2	-		
260	14182-9203-0	NUT	ECROU	MUTTER	1	-		
270	17369-6757-0	CLAMP, CORD	ATTACHE-FILS	KABELKLEMME	1	-		
280	15881-6415-0	COLLAR	COLLIER	HUELSE	1	-		

↔ Interchangeable; ≠ not interchangeable; ← new for old; → old for new

5550

STARTER (COMPONENT PARTS)
 DEMARREUR (PARTIES COMPOSANTES)
 ANLASSER (EINZEL-TEIL)



1C010-044-10

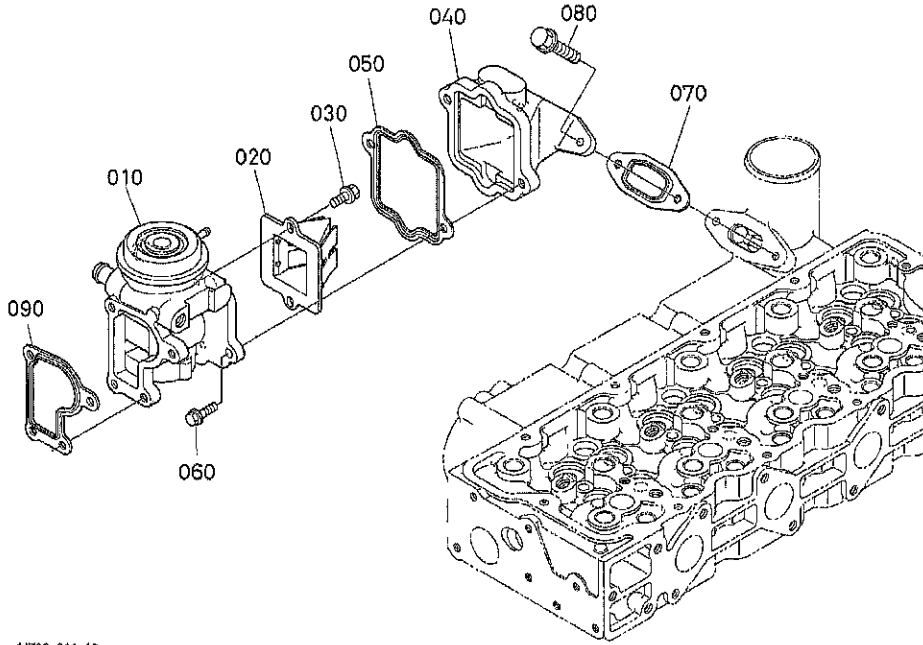
A: V2607-DI-TE3B-EU-Z8

REF. No. POS. No. BILD-Nr.	PART No. REFERENCE BESELL-Nr.	PART NAME	DESIGNATION	BEZEICHNUNG	Q'TY/S. No. Q'TE/No. S. STUECK/S. Nr.		I. C.	REMARKS REMARQUES BEMERKUNGEN
					A	B		
010	1G772-6301-0	ASSY STARTER	ENS. DEMARREUR	GRP. ANLASSER	1	-		
020	1C010-6303-0	ASSY BRACKET, FRONT	ENS. SUPPORT AVANT	GRP. VORDERHALTER	1	-		
030	1C010-6324-0	SET, BEARING	ENS. ROULEMENT	GRP. LAGER	1	-		
040	1C010-6304-0	ASSY SHAFT, CLUTCH	ENS. ARBRE EMBRAYAGE	GRP. WELLEKUPPLUNG	1	-		
050	1C010-6321-0	ASSY SHAFT, GEAR	ENS. ARBRE ENGRENAGE	GRP. WELLEGETRIEBE	1	-		
060	1C010-6341-0	SET, WASHER	ENS. RONDELLE	GRP. SCHEIBE	1	-		
070	1C010-6326-0	SET, INTERNAL GEAR	ENS. ENGRENAGE	GRP. GETRIEBE	1	-		
080	1C010-6333-0	CLUTCH, OVER RUNNING	EMBRAYAGE A INERTIE	AUFLAUFKUPPLUNG	1	-		
090	1C010-6327-0	ASSY GEAR	ENS. ENGRENAGE	GRP. GETRIEBE	4	-		
100	1C010-6305-0	ASSY LEVER, SET	ENS. LEVIER	GRP. HEBEL	1	-		
110	1C010-6328-0	SET PINION	ENS. PIGNON	GRP. RITZEL	1	-		
120	1C010-6317-0	SET, STOPPER	ENS. BOUCHON	GRP. STOPFEN	1	-		
130	1C010-6302-0	ASSY SWITCH, MAGNETIC	ENS. INTERRUPTEUR	GRP. MAGNETSCHALTER	1	-		
140	1C010-6376-0	SET, SCREW	ENS. VIS	GRP. SVCHRAUBE	1	-		
150	6C040-8269-0	BALL	BILLE	KUGEL	1	-		
160	1C010-6352-0	SET, PACKING	ENS. GARNITURE	GRP. DICHTUNGSSCHNUR	1	-		
170	1C010-6307-0	ASSY ARMATURE	ENS. ARMATURE	ANKER KOMP	1	-		
180	1C010-6325-0	BEARING	ROULEMENT	LAGER	1	-		
190	1G772-6308-0	ASSY YOKE	ENS. CHAPE	GRP. GABELGELENK	1	-		
200	1C010-6338-0	ASSY HOLDER, BRUSH	ENS. SUPPORT	GRP. BUERSTENHALTER	1	-		
210	1C010-6339-0	BRUSH, SPRING	BALAI, RESSORT	SCHLEIFBUERSTENFEDER	1	-		
220	1C010-6337-0	BRUSH	PATTE D'ATTACHE	BUERSTE	1	-		
230	1G772-6320-0	ASSY BRACKET, REAR	ENS. SUPPORT	GRP. HALTER	1	-		
240	1C010-6332-0	SET, BOLT	ENS. VIS	GRP. BOLZEN	1	-		

↔ Interchangeable; ≠ not interchangeable; ← new for old; → old for new

5723

EGR VALVE
SOUPAPE D' EGR
EGR VENTIL



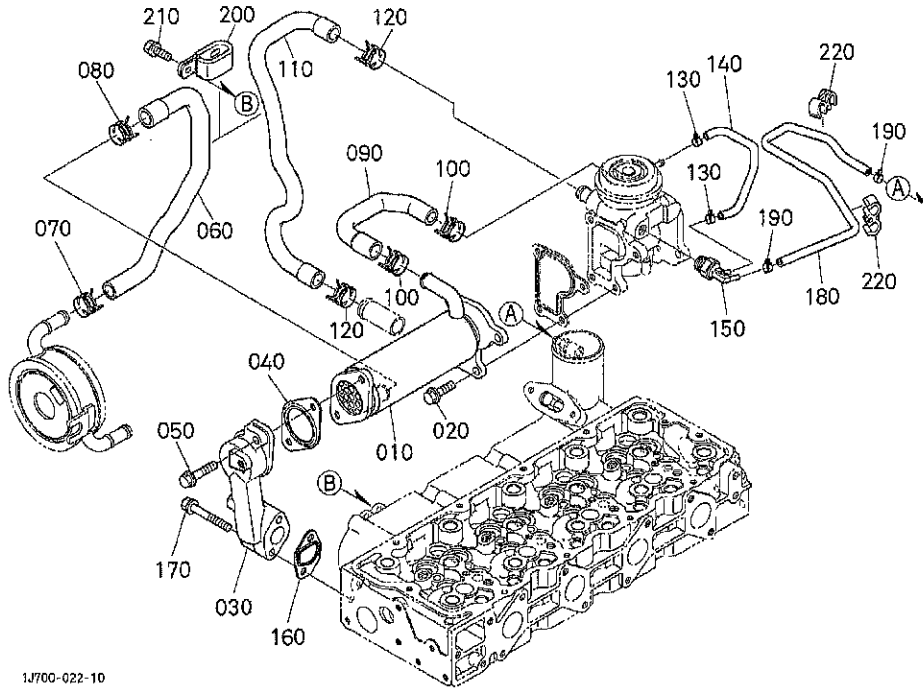
1J700-011-10

A: V2607-D1-TE3B-EU-Z8

REF. No. POS. No. BILD-Nr.	PART No. REFERENCE BESELL-Nr.	PART NAME	DESIGNATION	BEZEICHNUNG	Q' TY/S. No. Q' TE/No. S. STUECK/S. Nr.		I. C.	REMARKS REMARQUES BEMERKUNGEN
					A	B		
010	1J700-6270-0	ASSY VALVE, EGR	ENS. SOUPAPE D' EGR	GRP. VENTILEINHEIT	1	-		
020	1J574-1371-0	VALVE, LEAD	SOUPAPE	VENTIL	1	-		
030	01754-50614	BOLT, FLANGE	VIS DE BUTEE	FLANSCHEN-BOLZEN	2	-		
040	1G777-1735-2	HOUSING	CARTER	GEHAEUSE	1	-		
050	1G777-1742-0	GASKET, EGR VALVE	JOINT	DICHTUNGSPLATTE	1	-		
060	01754-50825	BOLT, FLANGE	VIS DE BUTEE	FLANSCHEN-BOLZEN	2	-		
070	1G777-1738-0	GASKET, INLET	JOINT DE ADMISSION	MEERESARM-DICHTUNG	1	-		
080	01755-50820	BOLT, FLANGE	VIS DE BUTEE	FLANSCHEN-BOLZEN	2	-		
090	1G777-1741-0	GASKET, EGR VALVE	JOINT	DICHTUNGSPLATTE	1	-		

5724

EGR COOLER
REFROIDISSEUR D' EGR
EGR KUEHLVORRICHTUNG



1J700-022-10

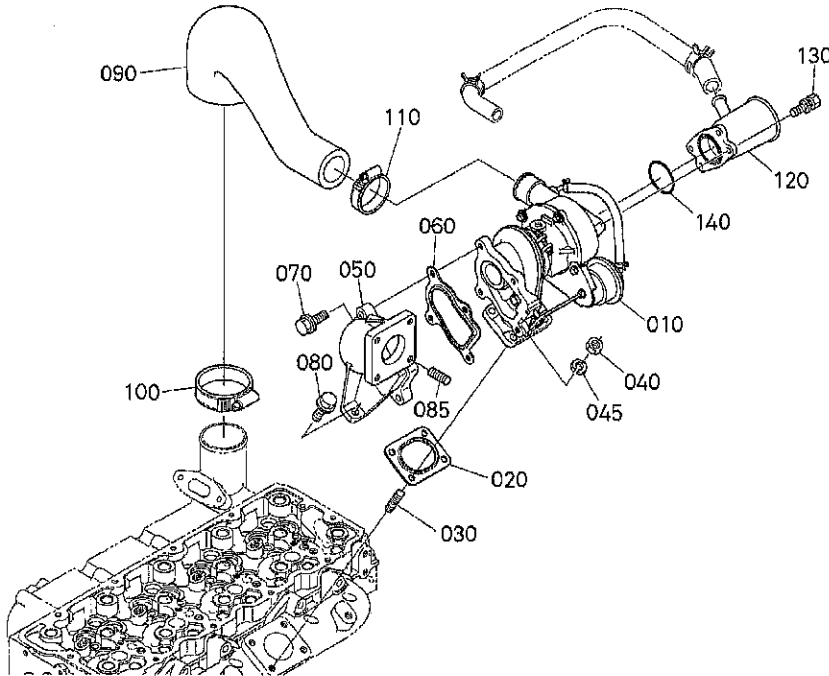
A: V2607-D1-TE3B-EU-Z8

REF. No. POS. No. BILD-Nr.	PART No. REFERENCE BESELL-Nr.	PART NAME	DESIGNATION	BEZEICHNUNG	Q' TY/S. No. Q' TE/No. S. STUECK/S. Nr.		I. C.	REMARKS REMARQUES BEMERKUNGEN
					A	B		
010	1J700-7141-0	ASSY COOLER, EGR	REFROIDISSEUR D' EGR	GRP. HUELSE	1	-		
020	01754-50820	BOLT, FLANGE	VIS DE BUTEE	FLANSCHEN-BOLZEN	4	-		
030	1G776-1728-3	COMP. BASE, EGR	SUPPORT	GRP. PFLUGKORPER	1	-		
040	1G777-1743-0	GASKET, EGR COOLER	JOINT	DICHTUNGSPLATTE	1	-		
050	01754-50825	BOLT, FLANGE	VIS DE BUTEE	FLANSCHEN-BOLZEN	2	-		
060	1J700-7146-0	PIPE, WATER	TUYAU DE EAU	WASSERROHR	1	-		
070	09318-88180	CLAMP, HOSE	COLLIER DE DURITE	SCHLAUCHBINDER	1	-		
080	09318-88200	CLAMP, HOSE	COLLIER DE DURITE	SCHLAUCHBINDER	1	-		
090	1J700-7147-0	PIPE, WATER	TUYAU DE EAU	WASSERROHR	1	-		
100	09318-88200	CLAMP, HOSE	COLLIER DE DURITE	SCHLAUCHBINDER	2	-		
110	1J700-7148-0	PIPE, WATER	TUYAU DE EAU	WASSERROHR	1	-		
120	09318-88200	CLAMP, HOSE	COLLIER DE DURITE	SCHLAUCHBINDER	2	-		
130	16241-4232-0	BAND, PIPE	COLLIER DE TUYAU	ROHRBAND	2	-		
140	1G777-7388-0	PIPE, BOOST	PIPE DE POUSSEE	ERHOEHUNG ROHR	1	-		
150	1J860-7309-0	VALVE, THERMO.	SCOUAPE	VENTIL	1	-		
160	1G777-1744-0	GASKET, EGR BASE	JOINT	DICHTUNGSPLATTE	1	-		
170	01755-50850	BOLT, FLANGE	VIS DE BUTEE	FLANSCHEN-BOLZEN	2	-		
180	1J700-7389-0	PIPE, BOOST	PIPE DE POUSSEE	ERHOEHUNG ROHR	1	-		
190	16241-4232-0	BAND, PIPE	COLLIER DE TUYAU	ROHRBAND	2	-		
200	1J700-7159-0	CLAMP, HOSE	COLLIER DE DURITE	SCHLAUCHBINDER	1	-		
210	01755-50610	BOLT, FLANGE	VIS DE BUTEE	FLANSCHEN-BOLZEN	1	-		
220	1G040-5387-0	CLAMP, PIPE	ATTACHE DE TUYAU	ROHRKLEMME	2 ≤=82Z999	-		#
220	1J550-5387-0	CLAMP, PIPE	ATTACHE DE TUYAU	ROHRKLEMME	2 ≥=9AQ001	-		# ←

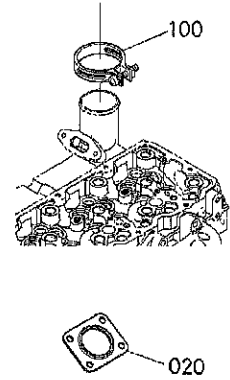
↔ Interchangeable; ≠ not interchangeable; ← new for old; → old for new

5726

TURBO CHARGER
TURBO-CHARGEUR
TURBINELADUNG



OLD PARTS



1J700-024-12

1J700-800-11

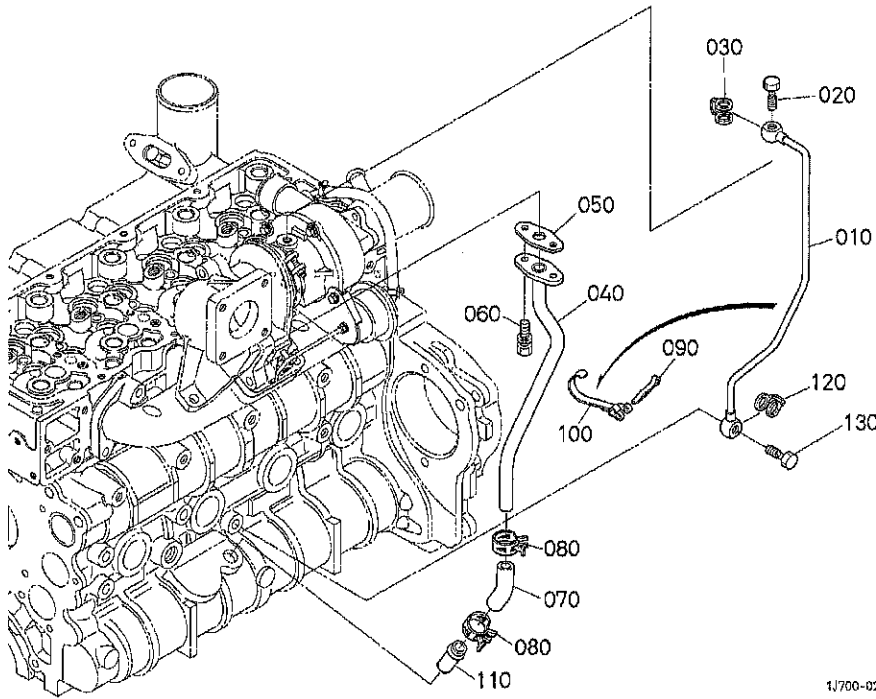
A: V2607-D1-TE3B-EU-Z8

REF. No. POS. No. BILD-Nr.	PART No. REFERENCE BESELL-Nr.	PART NAME	DESIGNATION	BEZEICHNUNG	Q' TY/S. No. Q' TE/No. S. STUECK/S. Nr.		I. C.	REMARKS REMARQUES BEMERKUNGEN
					A	B		
010	1J700-1701-0	ASSY TURBO CHARGER	TURBO COMPRESSEUR	GRP. LUFTPUMPE	1	-		
020	1J700-1710-0	GASKET, TURBO CHARGER	JOINT	DICHTUNGSPLATTE	1	-		#
020	1J700-1710-2	GASKET, TURBO CHARGER	JOINT	DICHTUNGSPLATTE	1	-	←	#
030	01513-60820	STUD	GOUJON	STEBBOLZEN	4	-		
040	02156-50080	NUT	ECROU	MUTTER	4	-		
045	04512-60080	WASHER, SPRING	RONDELLE GROWER	FEDERRING	4	-		
050	1J701-1232-0	FLANGE, MUFFLER	BRIDE DE SILENCIEUX	FLANSCH	1	-		
060	1J700-1711-0	GASKET, MUFFLER FLAN.	JOINT DE BRIDE	DICHTUNG, AUSPUFFTOPE	1	-		
070	01123-50830	BOLT	VIS	BOLZEN	4	-		
080	1G923-9101-0	BOLT	VIS	BOLZEN	1	-		
085	01513-60825	STUD	GOUJON	STEBBOLZEN	4	-		
090	1J700-1164-0	HOSE, INLET	TUYAU D'ADMISSION	SCHLAUCH	1	-		
100	15606-1172-0	BAND, PIPE	COLLIER DE TUYAU	ROHRBAND	1	-		
100	36919-0459-0	CLIP, HOSE	ATTACHE DURITE	SCHLAUCHKLEMME	1	-	←	
110	68311-7283-0	CLAMP, HOSE	COLLIER DE DURITE	SCHLAUCHBINDER	1	-		
120	1J700-0566-0	FLANGE, INLET	BRIDE	FLANSCH	1	-		
130	01023-50620	BOLT	VIS	BOLZEN	2	-		
140	04817-00400	O RING	JOINT TORIQUE	O RING	1	-		

↔ Interchangeable; ≠ not interchangeable; ← new for old; → old for new

5800

OIL PIPE (TURBO CHARGER)
 TUYAU D' HUILE (TURBO-CHARGEUR)
 OELPOMR (TURBINELADUNG)



1/700-025-10

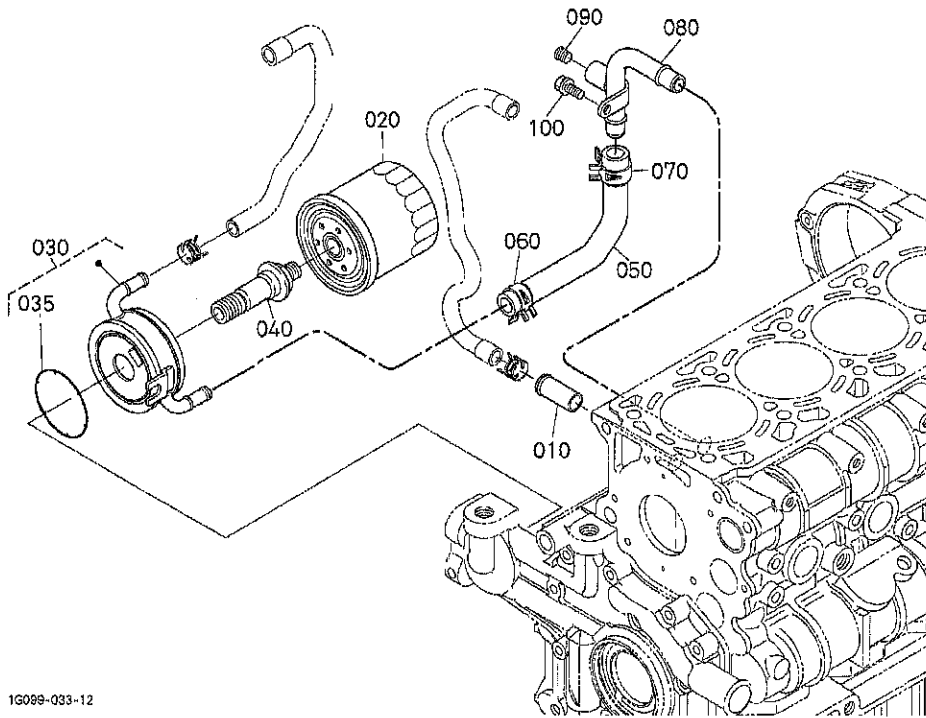
A: V2607-D1-TE3B-EU-Z8

REF. No. POS. No. BILD-Nr.	PART No. REFERENCE BESELL-Nr.	PART NAME	DESIGNATION	BEZEICHNUNG	Q' TY/S. No. Q' TE/No. S. STUECK/S. Nr.		I. C.	REMARKS REMARQUES BEMERKUNGEN
					A	B		
010	1J700-3304-0	COMP. PIPE, OIL	TUYAU D' HUILE	TUBE	1	-		
020	1G924-9580-2	BOLT, EYE JOINT	VIS	AUGBOLZEN	1	-		
030	1G777-9665-0	GASKET	JOINT	DICHTUNGSPLATTE	1	-		
040	1J700-3305-0	COMP. PIPE, OIL	TUYAU D' HUILE	TUBE	1	-		
050	1C040-3367-0	GASKET	JOINT	DICHTUNG	1	-		
060	01023-50614	BOLT	VIS	BOLZEN	2	-		
070	1J700-3324-0	TUBE, OIL	TUYAU D' HUILE	OELROHR	1	-		
080	09318-88200	CLAMP, HOSE	COLLIER DE DURITE	SCHLAUCHBINDER	2	-		
090	33430-8276-0	PIN, BAND	GOUPILLE COLLIER	STIFT	1	-		
100	1A024-3352-0	CLAMP, PIPE	ATTACHE DE TUYAU	ROHRKLEMME	1	-		
110	17331-7334-2	PIPE, WATER RETURN	TUYAU RETOUR D' EAU	WASSERROHR	1	-		
120	1G557-9665-0	GASKET	JOINT	DICHTUNGSPLATTE	1	-		
130	15471-9579-0	BOLT, EYE JOINT	VIS	AUGBOLZEN	1	-		

↔ Interchangeable; ≠ not interchangeable; ← new for old; → old for new

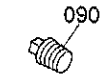
5820

OIL COOLER
REFROIDISSEMENT
OELKUEHLER



16099-033-12

OLD PART



1J710-804-10

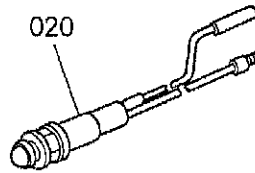
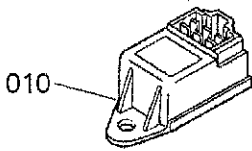
A: V2607-D1-TE3B-EU-Z8

REF. No. POS. No. BILD-Nr.	PART No. REFERENCE BESELL-Nr.	PART NAME	DESIGNATION	BEZEICHNUNG	Q'TY/S. No. Q' TE/No. S. STUECK/S. Nr.		I. C.	REMARKS REMARQUES BEMERKUNGEN
					A	B		
010	16241-0555-0	JOINT, BREATHER PIPE	RACCORD D'ASPI-TUYAU	ANSCHLUSSTEIL	1	-		
020	HH164-3243-0	CARTRIDGE, OIL FILTER	CARTOUCHE FILTRANTE	OELFILTERPATRONE	1	-		
030	1J700-3701-0	ASSY COOLER, OIL	ENS. REFROIDISSEUR	GRP. OELKUEHLER	1	-		
035	K7561-3312-0	O RING	JOINT TORIQUE	O RING	1	-		
040	1J700-3708-0	CONNECTOR	CONNECTEUR	ANSCHLUBE	1	-		
050	1J700-3715-0	PIPE, OIL COOLER	TUYAU D' HUILE	OELKUEHLERROHR	1	-		
060	09318-88180	CLAMP, HOSE	COLLIER DE DURITE	SCHLAUCHBINDER	1	-		
070	09318-88200	CLAMP, HOSE	COLLIER DE DURITE	SCHLAUCHBINDER	1	-		
080	1J700-7313-0	PIPE, DRAIN	TUYAU	ROHR	1	-		
090	06312-10020	PLUG	BOUCHON	STOPFEN	1	-		#
090	1G103-9601-0	PLUG	BOUCHON	STOPFEN	<=87999	-		#
100	01755-50610	BOLT, FLANGE	VIS DE BUTEE	FLANSCHEN-BOLZEN	>=9A0001	-		#

↔ Interchangeable; ≠ not interchangeable; ← new for old; → old for new

5865

GLOW LAMP AND TIMER
 INDICATEUR DE PRECHAUFFAGE ET TEMPORISATEUR
 GLUEHLAMPE UND ZEITMESSER



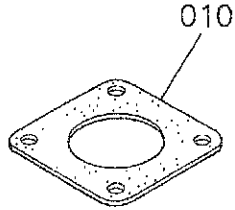
16614-037-13

A: V2607-D1-TE3B-EU-Z8

REF. No. POS. No. BILD-Nr.	PART No. REFERENCE BESELL-Nr.	PART NAME	DESIGNATION	BEZEICHNUNG	Q'TY/S. No. Q' TE/No. S. STUECK/S. Nr.		I. C.	REMARKS REMARQUES BEMERKUNGEN
					A	B		
010	15694-6599-0	TIMER, GLOW LAMP	TEMPORISATEUR	LAMPETREMBLEUR	1	-		
020	15403-6449-0	LAMP, INDICATOR	AMPOULE DE INDICATE.	ANZEIGERLEUCHTE	1	-		

5880

ACCESSORIES AND SERVICE PARTS
ACCESSOIRES ET PIECES DE SERVICE
ZUBEHOER UND BEDIENTUNG-TEIL



1G343-015-10

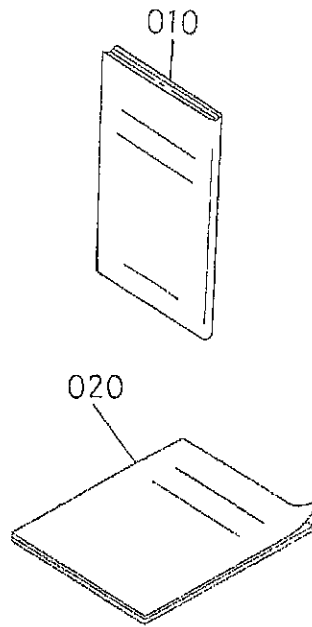
A:V2607-DI-TE3B-EU-Z8

REF. No. POS. No. BILD-Nr.	PART No. REFERENCE BESELL-Nr.	PART NAME	DESIGNATION	BEZEICHNUNG	Q'TY/S. No. Q' TE/No. S. STUECK/S. Nr.		I. C.	REMARKS REMARQUES BEMERKUNGEN
					A	B		
010	T0070-1642-0	GASKET, MUFFLER	JOINT DE SILENCIEUX	DICHTUNG, AUSPUFFTOPF	1	-		

↔ Interchangeable; ≠ not interchangeable; ← new for old; → old for new
42

5890

LABEL AND OPERATOR'S MANUAL
 ETIQUETTE ET MANUEL DE L'UTILISATEUR
 ETIKETTE UND HANDHABUNG-GEBRAUCHSANWEISUNG



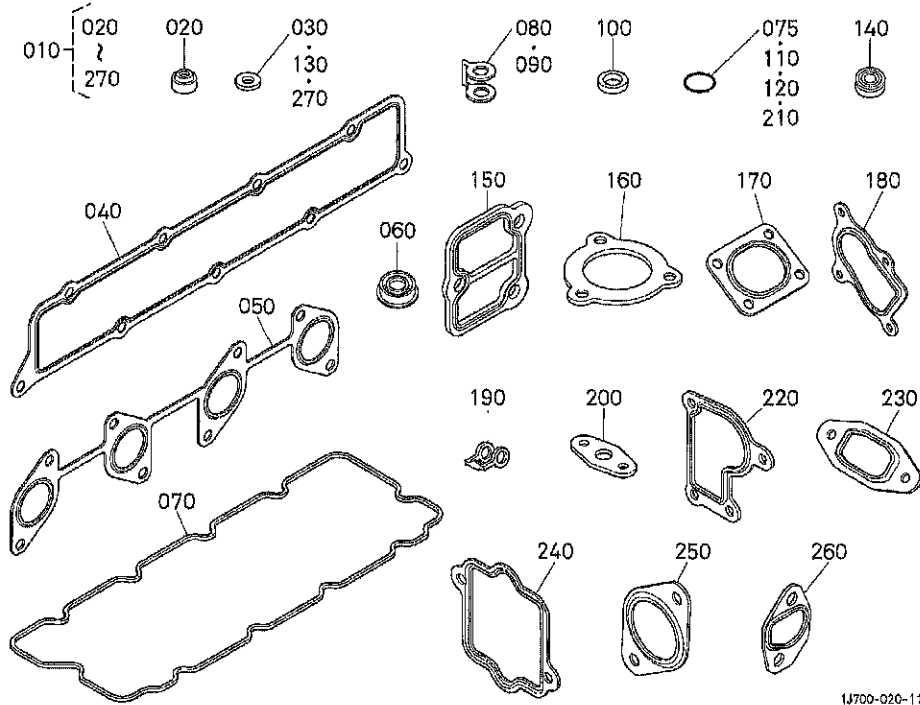
1G661-011-10

A: V2607-D1-TE3B-EU-Z8

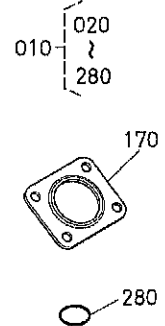
REF. No. POS. No. BILD-Nr.	PART No. REFERENCE BESELL-Nr.	PART NAME	DESIGNATION	BEZEICHNUNG	QTY/S. No. QTE/No. S. STUECK/S. Nr.		I. C.	REMARKS REMARQUES BEMERKUNGEN
					A	B		
010	1G777-8911-3	OPERATOR'S MANUAL	MANUEL DE L'UTILISA.	DETDIENUNGSANLEITUNG	≤8VZ999	-	#	
010	1G777-8911-4	OPERATOR'S MANUAL	MANUEL DE L'UTILISA.	DETDIENUNGSANLEITUNG	≥8W0001	-	≠	#
020	1G511-8981-6	STATEMENT, WARRANTY	DECLARATION, GARANTIE	GARANTIE ERKLAERUNG	≤8ZZ999	-	#	
020	1G511-8981-7	STATEMENT, WARRANTY	DECLARATION, GARANTIE	GARANTIE ERKLAERUNG	≥8A0001	-	≠	#

5910

UPPER GASKET KIT [OPTION]
 JEU DE JOINT SUPERIEUR [OPTION]
 DICHTUNGSSATZ ZYLINDERKOPF [OPTION]



OLD PARTS



1J700-020-11

1J710-805-10

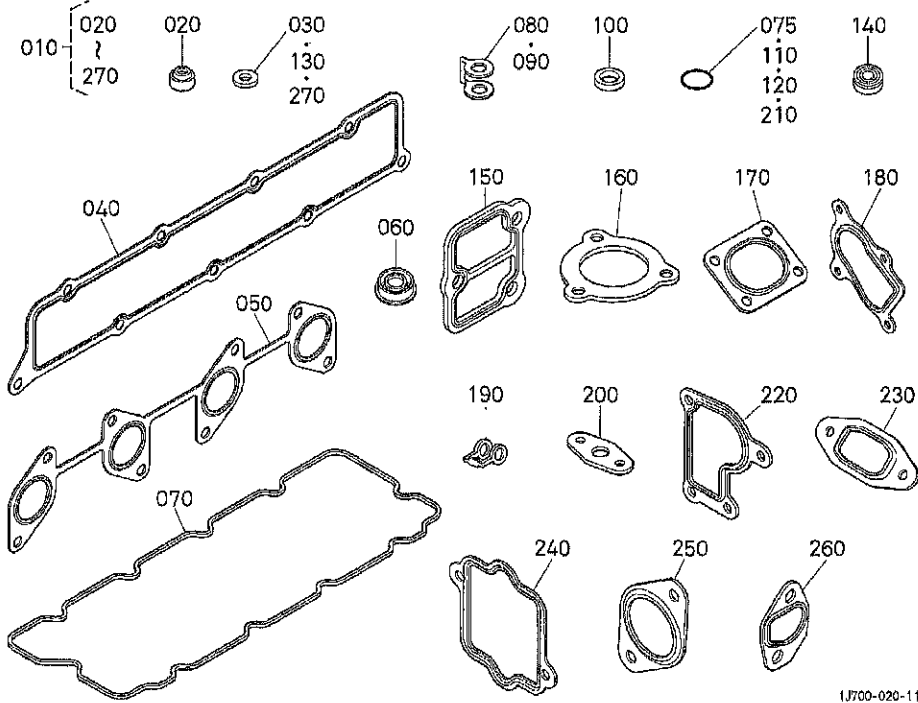
A: V2607-DI-TE3B-EU-Z8

REF. No. POS. No. BILD-Nr.	PART No. REFERENCE BESELL-Nr.	PART NAME	DESIGNATION	BEZEICHNUNG	Q'TY/S. No. Q'TE/No. S. STUECK/S. Nr.		I. C.	REMARKS REMARQUES BEMERKUNGEN
					A	B		
010	1J700-9935-0	KIT GASKET, UPPER	JEU DE JOINTS SUPER.	OBERTICHTUNGENTAS.	1	-		
020	11420-1315-0	SEAL, VALVE STEM	JOINT DE SOUPAPE	VENTILDICHTUNG	16	-		
030	15601-9665-0	GASKET	JOINT	DICHTUNGSPLATTE	1	-		
040	1J700-1182-0	GASKET, IN-MANIFOLD	JOINT DE COLL. ADM.	DICHTUNG ANSAUGROHR	1	-		
050	1J700-1235-0	GASKET, EX-MANIFOLD	JOINT DE COLL. ECHAP.	DICHTUNG, AUSPUFFPOHR	1	-		
060	1C020-5381-0	SEAL, INJECTION PIPE	JOINT D'ETANCHEITE	DICHTUNGEN	4	-		
070	1J700-1452-0	GASKET, HEAD COVER	JOINT COUVRE-CULASSE	DICHTUNG, KOPFDECKEL	1	-		
075	04814-50300	O RING	JOINT TORIQUE	O RING	1	-		
080	1C020-9673-0	GASKET	JOINT	DICHTUNGSPLATTE	5	-		
090	1G772-3366-0	GASKET	JOINT	DICHTUNGSPLATTE	1	-		
100	15109-3366-0	GASKET	JOINT	DICHTUNGSPLATTE	1	-		
110	1G772-5349-0	O RING	JOINT TORIQUE	O RING	4	-		
120	04814-05110	O RING	JOINT TORIQUE	O RING	4	-		
130	1G796-5362-0	GASKET	JOINT	DICHTUNGSPLATTE	4	-		
140	1G772-6550-0	SEAL, GLOW PLUG	JOINT DE ETANCHEITE	DICHTUNGEN	4	-		
150	1J700-7282-0	GASKET, WATER FLANGE	JOINT DE BRIDE A EAU	DICHTUNGWASSERFLANS.	2	-		
160	1C010-7327-0	GASKET	JOINT	DICHTUNGSPLATTE	1	-		#
160	1G772-7327-0	GASKET	JOINT	DICHTUNGSPLATTE	≤8XZ999	-	↔	#
170	1J700-1710-0	GASKET, TURBO CHARGER	JOINT	DICHTUNGSPLATTE	≥8Y0001	-	↔	#
170	1J700-1710-2	GASKET, TURBO CHARGER	JOINT	DICHTUNGSPLATTE	≤8ZZ999	-	↔	#
170	1J700-1710-2	GASKET, TURBO CHARGER	JOINT	DICHTUNGSPLATTE	≥9Ac001	-	↔	#
180	1J700-1711-0	GASKET, MUFFLER FLAN.	JOINT DE BRIDE	DICHTUNG, AUSPUFFTOPE	1	-		
190	1G777-9665-0	GASKET	JOINT	DICHTUNGSPLATTE	1	-		
200	1C040-3367-0	GASKET	JOINT	DICHTUNG	1	-		
210	04817-00400	O RING	JOINT TORIQUE	O RING	1	-		
220	1G777-1741-0	GASKET, EGR VALVE	JOINT	DICHTUNGSPLATTE	1	-		
230	1G777-1738-0	GASKET, INLET	JOINT DE ADMISSION	MEERESARM-DICHTUNG	1	-		
240	1G777-1742-0	GASKET, EGR VALVE	JOINT	DICHTUNGSPLATTE	1	-		
250	1G777-1743-0	GASKET, EGR COOLER	JOINT	DICHTUNGSPLATTE	1	-		
260	1G777-1744-0	GASKET, EGR BASE	JOINT	DICHTUNGSPLATTE	1	-		
270	15021-3366-0	GASKET	JOINT	DICHTUNGSPLATTE	3	-		

↔ interchangeable; ≠ not interchangeable; ← new for old; → old for new

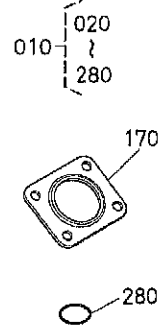
5910

UPPER GASKET KIT [OPTION]
 JEU DE JOINT SUPERIEUR [OPTION]
 DICHTUNGSSATZ ZYLINDERKOPF [OPTION]



1J700-020-11

OLD PARTS



1J710-805-10

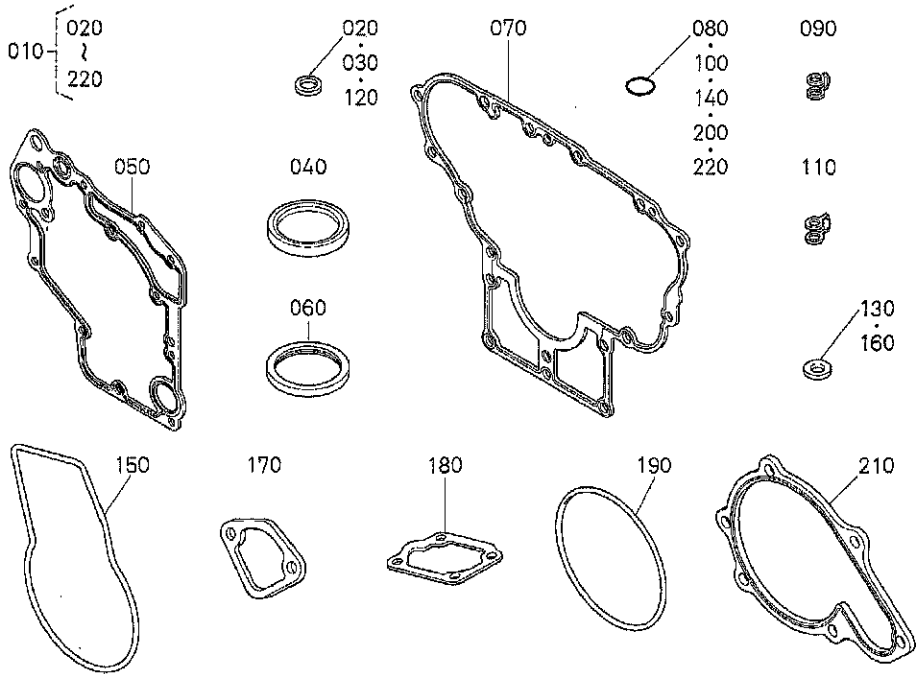
A: V2607-D1-TE3B-EU-Z8

REF. No. POS. No. BILD-Nr.	PART No. REFERENCE BESELL-Nr.	PART NAME	DESIGNATION	BEZEICHNUNG	Q'TY/S. No. Q' TE/No. S. STUECK/S. Nr.		I. C.	REMARKS REMARQUES BEMERKUNGEN
					A	B		
280	1J700-5434-0	O RING	JOINT TORIQUE	O RING	1	-		#

↔ Interchangeable; ≠ not interchangeable; ← new for old; → old for new

5920

LOWER GASKET KIT [OPTION]
 JEU DE JOINT INFÉRIEUR [OPTION]
 DICHTUNGSSATZ MOTORBLOCK [OPTION]



1J700-021-10

A:V2607-D1-TE3B-EU-Z8

REF. No. POS. No. 81LD-Nr.	PART No. REFERENCE BESELL-Nr.	PART NAME	DESIGNATION	BEZEICHNUNG	Q'TY/S. No. G' TE/No. S. STUECK/S. Nr.		I. C.	REMARKS REMARQUES BEMERKUNGEN
					A	B		
010	1J700-9936-0	KIT GASKET, LOWER	JEU DE JOINTS INFER.	UNTERDICHTUNGENTASC.	1	-		
020	16265-9667-0	GASKET	JOINT	DICHTUNGSPLATTE	1	-		
030	15451-9667-0	GASKET	JOINT	DICHTUNGSPLATTE	1	-		
040	1C020-0414-0	SEAL, OIL	BAGUE JOINT	CELDICHTUNGSRING	1	-		
050	1J700-0433-0	GASKET, FRONT COVER	JOINT DE COUVERCLE	DICHTUNGSPLATTE	1	-		
060	1J700-0446-0	SEAL, OIL	BAGUE JOINT	DELDICHTUNGSRING	1	-		
070	1J700-0463-0	GASKET, HOUSING	JOINT DE CARTER	DICHTUNGSPLATTE	1	-		
080	04817-00180	O RING	JOINT TORIQUE	O RING	1	-		
090	1C020-9665-0	GASKET	JOINT	DICHTUNGSPLATTE	2	-		
100	04814-50300	O RING	JOINT TORIQUE	O RING	1	-		
110	1G557-9665-0	GASKET	JOINT	DICHTUNGSPLATTE	1	-		
120	15331-9665-0	GASKET	JOINT	DICHTUNGSPLATTE	2	-		
130	15021-3366-0	GASKET	JOINT	DICHTUNGSPLATTE	2	-		
140	04814-10070	O RING	JOINT TORIQUE	O RING	3	-		
150	1C010-5577-0	GASKET, GOV. HOUSING	JOINT DE LOGEMENT	DICHTUNGLAGERUNGREG.	1	-		
160	15601-9665-0	GASKET	JOINT	DICHTUNGSPLATTE	4	-		
170	16264-5214-0	GASKET, FUEL PUMP	JOINT DE POMP. CARB.	DICHTUNG, PUMPE	1	-		
180	1A021-5721-2	GASKET, PLATE	JOINT	DICHTUNGSPLATTE	1	-		
190	1G772-5213-0	GASKET, INJ. PUMP	JOINT DE POMPE' IN.	DICHTUNGEINSPRITZEN	1	-		
200	04814-06310	O RING	JOINT TORIQUE	O RING	1	-		
210	1J700-7343-0	GASKET, WATER PUMP	JOINT DE POMPE A EAU	DICHTUNG, WASSERPUMPE	1	-		
220	1J700-8311-2	O RING	JOINT TORIQUE	O RING	1	-		

↔ Interchangeable; ≠ not interchangeable; ← new for old; → old for new

**NUMERICAL INDEX
INDEX NUMERIQUE
NUMERISCHEN INDEX**

PART No. REFERENCE BESELL-Nr.	PAGE PAGE SEITE	REF. No. POS. No. BILD-Nr.	PART No. REFERENCE BESELL-Nr.	PAGE PAGE SEITE	REF. No. POS. No. BILD-Nr.	PART No. REFERENCE BESELL-Nr.	PAGE PAGE SEITE	REF. No. POS. No. BILD-Nr.	PART No. REFERENCE BESELL-Nr.	PAGE PAGE SEITE	REF. No. POS. No. BILD-Nr.
E9151-3314-0	3	040	02751-50060	16	030	09318-88200	37	120	15601-9665-0	44	030
	7	120		18	250		39	080		45	160
HH164-3243-0	40	020		20	060		40	070	15606-1172-0	38	100
KF022-4246-0	22	340	02751-50080	13	090	09661-40030	21	210	15694-6599-0	41	010
T0070-1642-0	42	010		13	130	09661-40040	22	305	15707-3375-0	2	020
TA043-6404-0	26	090		15	070	09661-40100	21	255	15841-5136-0	34	020
TA043-6485-0	26	130	02761-50040	23	130	09661-40200	21	230	15841-5385-0	24	030
TA043-7403-0	26	040	02771-50120	18	030	09661-70200	21	130	15841-5386-0	24	040
01023-50614	39	060	02771-60100	1	170	09661-70270	21	150	15841-9151-0	18	180
01023-50620	38	130		27	030	11233-9150-0	14	030	15841-9602-0	14	070
01123-50830	38	070	03017-50608	17	050	11420-1315-0	5	090	15852-9233-0	20	110
01127-50825	25	060	03017-50614	8	090		44	020	15881-6409-0	26	150
01153-50812	6	070	03024-50510	7	140	12331-9523-0	17	060	15881-6415-0	26	280
01311-10614	29	030	03024-50520	24	050	13824-6758-0	13	110	15881-6426-0	26	080
01513-60820	38	030	03651-50830	17	090	14111-4241-0	15	080	15881-6433-0	26	160
01513-60825	38	085	04013-60050	19	020	14117-4256-0	21	170	15881-6471-0	26	060
01517-61022	1	160	04013-60080	6	050	14182-9203-0	26	260	15881-6480-0	26	100
01517-61030	27	020	04015-60100	12	130	14601-1333-0	5	070	15881-6490-0	26	240
01518-50820	18	190	04512-60080	6	060	14601-1336-0	5	080	15881-9104-0	26	200
01754-50612	17	080		38	045	14911-4275-0	21	140	15881-9105-0	26	220
01754-50612	18	240	04611-00260	9	040	14911-4275-0	21	160	15881-9201-0	26	030
	33	050	04613-50030	19	040	14971-4275-0	21	240	15881-9202-0	26	250
01754-50614	36	030	04613-50040	19	030		21	260	15881-9301-0	26	070
01754-50618	18	210	04613-50050	19	050		22	310	15881-9302-0	26	210
01754-50814	13	120	04814-05110	23	060	15021-1424-0	6	110	15881-9303-0	26	180
	13	140		44	120		6	140	15881-9304-0	26	190
01754-50820	37	020	04814-06310	29	020	15021-3366-0	13	150	16241-0555-0	40	010
01754-50825	15	060		45	200		13	170	16241-0567-0	7	080
	36	060	04814-10070	18	070		15	050	16241-3351-0	7	030
	37	050		18	120		20	030	16241-4232-0	37	130
01754-50830	34	050	04814-10070	45	140	15021-3366-0	21	030	16241-4232-0	37	190
01754-50840	8	130	04814-50300	3	050		21	180	16241-9602-0	31	050
	32	040		7	130		44	270	16245-9154-0	14	020
01754-50855	6	150		44	075		45	130	16264-5214-0	16	020
01754-50860	34	060		45	100	15109-3363-0	4	090		45	170
01754-50890	31	080	04817-00180	2	060	15109-3366-0	4	100	16265-9667-0	2	030
01755-50610	7	050		45	080		44	100		45	020
	37	210	04817-00400	38	140	15221-0349-0	1	070	16282-4202-0	22	300
	40	100		44	210	15221-1443-0	6	040	16286-3375-0	8	050
01755-50612	11	090	05012-00512	14	050	15221-5628-0	18	160	16427-6411-0	26	020
01755-50816	2	040	05012-00609	14	060	15221-9153-0	14	040	16429-9201-0	35	050
	2	070	05012-00612	9	130	15321-9626-0	1	060	16541-4321-0	21	050
	4	020	05012-01016	1	040		4	060	16541-4333-0	21	100
01755-50820	22	290		1	130	15331-9665-0	15	030	16541-9579-0	21	060
	31	030	05411-00308	11	105		45	120		21	205
	36	080	05411-00416	18	100	15401-9201-0	20	020	16631-4356-0	21	090
01755-50825	35	030		18	150	15401-9569-0	21	190	16652-6431-0	26	140
01755-50830	25	040	05411-00525	6	030	15403-6449-0	41	020	16652-6477-0	26	110
01755-50850	37	170	05712-00720	11	070	15451-9667-0	8	040	16652-6478-0	26	050
01774-51016	12	120	06311-85016	1	080		45	030	16683-9602-0	4	080
01774-51025	21	280	06311-85018	1	110	15471-9579-0	21	020	16809-3642-0	3	010
01774-51035	27	040	06311-85025	1	050		39	130	16851-9627-0	4	070
01774-51045	25	080	06312-10020	40	090	15521-1423-0	6	100		8	070
01774-51050	11	120	07715-00401	4	040		6	130	17105-3368-0	21	110
01774-51220	25	020	07715-01611	4	050	15521-2214-2	9	070		21	200
01774-51230	12	080	09318-88155	7	020	15521-5427-0	13	180	17208-4203-0	21	250
01774-51245	12	090	09318-88180	37	070	15521-9233-0	13	160	17331-7334-2	7	070
01774-51280	12	160		40	060	15521-9602-0	1	090		39	110
01775-51035	1	030	09318-88200	37	080	15601-9665-0	20	120	17369-6406-0	26	120
02156-50080	38	040		37	100		34	030	17369-6423-0	26	230

NUMERICAL INDEX
INDEX NUMERIQUE
NUMERISCHEN INDEX

PART No. REFERENCE BESELL-Nr.	PAGE PAGE SEITE	REF. No. POS. No. BILD-Nr.	PART No. REFERENCE BESELL-Nr.	PAGE PAGE SEITE	REF. No. POS. No. BILD-Nr.	PART No. REFERENCE BESELL-Nr.	PAGE PAGE SEITE	REF. No. POS. No. BILD-Nr.	PART No. REFERENCE BESELL-Nr.	PAGE PAGE SEITE	REF. No. POS. No. BILD-Nr.
17369-6757-0	26	270	1G020-9665-0	45	090	1G777-1744-0	37	160	1J700-1431-0	6	080
17371-9580-0	13	030	1G020-9673-0	23	030		44	260	1J700-1435-0	6	020
17490-7425-2	33	040		44	080	1G777-5175-0	17	030	1J700-1450-2	7	060
19237-6591-0	25	120	1G040-3367-0	39	050	1G777-5505-0	18	020	1J700-1452-0	7	090
19268-6578-0	25	160		44	200	1G777-5603-3	19	010		44	070
19268-6587-0	25	200	1G040-5387-0	37	220	1G777-5715-0	18	090	1J700-1511-0	11	030
19268-6593-0	25	190	1G031-5421-0	20	080	1G777-5748-0	13	105	1J700-1601-0	11	040
19872-6584-0	25	100		20	100	1G777-6382-0	12	020	1J700-1627-0	11	080
19872-6588-0	25	110	1G065-4236-0	22	330	1G777-7388-0	37	140	1J700-1638-0	12	100
19883-6583-0	25	090	1G511-8981-6	43	020	1G777-7428-0	33	010	1J700-1639-0	11	050
1A021-5721-2	18	230	1G513-3655-0	3	030	1G777-8911-3	43	010	1J700-1641-0	11	010
	45	180	1G557-9665-0	39	120	1G777-9665-0	39	030	1J700-1651-2	11	060
1A021-9602-0	1	100		45	110		44	190	1J700-1701-0	38	010
1A024-3352-0	39	100	1G642-7305-0	32	020	1G790-5216-2	15	090	1J700-1710-0	38	020
1A024-3901-0	30	010	1G730-5454-0	18	220	1G796-5354-0	23	045		44	170
1A093-5136-0	15	040	1G772-1555-0	11	020	1G796-5362-0	23	070	1J700-1711-0	38	060
1C010-0468-0	12	150	1G772-1620-0	13	080		44	130		44	180
1C010-3692-2	8	030	1G772-1623-0	17	040	1G801-0512-0	7	100	1J700-2105-0	9	020
1C010-4246-0	21	220	1G772-2516-0	12	030	1G911-0520-3	7	110	1J700-2109-0	9	020
	22	320	1G772-3366-0	44	090	1G911-9102-2	7	160	1J700-2111-0	9	010
1C010-4301-0	21	040	1G772-3563-0	9	100	1G923-9101-0	38	080	1J700-2112-0	9	010
1C010-5203-2	16	010	1G772-5176-0	17	020	1G924-9580-2	39	020	1J700-2113-0	9	010
1C010-5577-0	18	200	1G772-5213-0	13	060	1J574-1371-0	36	020	1J700-2131-0	9	030
	45	150		45	190	1J700-0102-0	1	010	1J700-2190-0	9	010
1C010-5675-0	18	010	1G772-5349-0	23	050	1J700-0150-0	2	010	1J700-2191-0	9	010
1C010-6302-0	28	130		44	110	1J700-0174-0	4	010	1J700-2192-0	9	010
1C010-6303-0	28	020	1G772-5415-0	20	070	1J700-0303-0	4	030	1J700-2198-0	9	060
1C010-6304-0	28	040	1G772-5433-0	20	040		5	010	1J700-2201-0	9	050
1C010-6305-0	28	100	1G772-5510-0	18	050	1J700-0331-0	4	120	1J700-2231-0	9	080
1C010-6307-0	28	170	1G772-5545-0	18	040	1J700-0332-0	4	120	1J700-2233-0	9	080
1C010-6317-0	28	120	1G772-5602-0	18	060	1J700-0333-0	4	120	1J700-2297-0	9	080
1C010-6321-0	28	050	1G772-5615-0	19	060	1J700-0345-0	4	110	1J700-2298-0	9	080
1C010-6324-0	28	030	1G772-5751-0	18	080	1J700-0422-0	8	010	1J700-2301-0	9	090
1C010-6325-0	28	180	1G772-5762-0	18	140	1J700-0433-0	8	120	1J700-2327-0	9	135
1C010-6326-0	28	070	1G772-5770-0	18	110		45	050	1J700-2328-0	9	120
1C010-6327-0	28	090	1G772-5792-0	18	130	1J700-0446-0	12	050	1J700-2347-0	9	150
1C010-6328-0	28	110	1G772-6001-2	29	010		45	060	1J700-2353-0	9	160
1C010-6332-0	28	240	1G772-6301-0	27	010	1J700-0456-0	1	020	1J700-2354-0	10	170
1C010-6333-0	28	080		28	010	1J700-0460-0	12	040	1J700-2375-0	10	180
1C010-6337-0	28	220	1G772-6308-0	28	190	1J700-0463-0	12	070	1J700-2376-0	10	180
1C010-6338-0	28	200	1G772-6320-0	28	230	1J700-0463-0	45	070	1J700-2377-0	10	180
1C010-6339-0	28	210	1G772-6435-0	25	030	1J700-0551-0	7	010	1J700-2391-0	9	150
1C010-6341-0	28	060	1G772-6550-0	23	110	1J700-0558-0	7	040	1J700-2392-0	9	150
1C010-6352-0	28	160		44	140	1J700-0566-0	38	120	1J700-2395-0	9	160
1C010-6376-0	28	140	1G772-7301-0	31	060	1J700-1164-0	38	090	1J700-2396-0	9	160
1C010-6583-0	25	130	1G772-9569-0	21	010	1J700-1182-0	34	040	1J700-2397-0	10	170
1C010-6588-0	25	140	1G772-9701-0	33	030		44	040	1J700-2398-0	10	170
1C010-6591-0	25	150	1G773-8315-0	1	140	1J700-1235-0	35	020	1J700-2401-3	11	130
1C010-7327-0	31	020	1G776-1728-3	37	030		44	050	1J700-2410-3	9	110
	44	160	1G777-1617-0	17	010	1J700-1311-0	5	040	1J700-2425-0	11	100
1C010-9149-0	35	040	1G777-1632-0	17	070	1J700-1312-0	5	050	1J700-2427-2	11	140
1C010-9202-0	19	090	1G777-1735-2	36	040	1J700-1324-0	5	060	1J700-2437-0	11	110
1C010-9451-0	18	170	1G777-1738-0	36	070	1J700-1346-0	5	110	1J700-2501-0	12	010
1C010-9602-0	8	100		44	230	1J700-1348-0	5	100	1J700-2672-0	12	110
1C020-0414-0	8	110	1G777-1741-0	36	090	1J700-1349-0	5	120	1J700-3211-0	2	050
	45	040		44	220	1J700-1354-0	5	020	1J700-3304-0	39	010
1C020-5381-0	7	150	1G777-1742-0	36	050	1J700-1356-0	5	030	1J700-3305-0	39	040
	44	060		44	240	1J700-1402-0	6	090	1J700-3324-0	39	070
1C020-9581-0	23	020	1G777-1743-0	37	040	1J700-1415-0	6	120	1J700-3332-0	13	020
1C020-9665-0	13	040		44	250	1J700-1426-0	6	010	1J700-3365-0	11	085

NUMERICAL INDEX
INDEX NUMERIQUE
NUMERISCHEN INDEX

PART No. REFERENCE BESELL-Nr.	PAGE PAGE SEITE	REF. No. POS. No. BILD-Nr.	PART No. REFERENCE BESELL-Nr.	PAGE PAGE SEITE	REF. No. POS. No. BILD-Nr.	PART No. REFERENCE BESELL-Nr.	PAGE PAGE SEITE	REF. No. POS. No. BILD-Nr.	PART No. REFERENCE BESELL-Nr.	PAGE PAGE SEITE	REF. No. POS. No. BILD-Nr.
1J700-3513-0	8	080	33430-8276-0	39	090						
1J700-3548-0	8	065	36200-2123-0	12	140						
1J700-3549-0	8	060	3A611-7401-2	25	050						
1J700-3641-0	3	020		26	010						
1J700-3695-0	8	020	41092-2141-2	12	060						
1J700-3701-0	40	030	68271-6591-0	25	170						
1J700-3708-0	40	040	68271-6592-0	25	180						
1J700-3715-0	40	050	68311-7283-0	38	110						
1J700-4250-0	23	010	6C040-8269-0	28	150						
1J700-4343-0	21	270									
1J700-5010-0	13	050									
1J700-5080-0	14	010									
1J700-5101-0	15	010									
1J700-5115-0	13	070									
1J700-5132-0	15	020									
1J700-5162-0	13	100									
1J700-5300-0	23	040									
1J700-5343-0	23	080									
1J700-5371-0	24	010									
1J700-5372-0	24	020									
1J700-5373-0	24	060									
1J700-5374-2	24	070									
1J700-5410-0	20	010									
1J700-5434-0	20	050									
	44	280									
1J700-5641-2	19	070									
1J700-5648-0	19	080									
1J700-6270-0	36	010									
1J700-6551-0	23	100									
1J700-6556-0	23	120									
1J700-7141-0	37	010									
1J700-7146-0	37	060									
1J700-7147-0	37	090									
1J700-7148-0	37	110									
1J700-7159-0	37	200									
1J700-7270-0	31	040									
1J700-7282-0	31	070									
	44	150									
1J700-7303-0	32	010									
1J700-7313-0	40	080									
1J700-7326-0	31	010									
1J700-7343-0	32	030									
	45	210									
1J700-7389-0	37	180									
1J700-8311-2	1	150									
	45	220									
1J700-9101-0	33	020									
1J700-9149-0	13	010									
1J700-9501-0	9	140									
1J700-9935-0	44	010									
1J700-9936-0	45	010									
1J701-1232-0	38	050									
1J701-6442-0	25	010									
1J710-1177-0	34	010									
1J710-1231-0	35	010									
1J750-5412-0	20	090									
1J750-9580-0	21	070									
1J750-9581-0	21	080									
1J860-7309-0	37	150									
1K531-6460-2	26	170									

KUBOTA

THE BASIC NECESSITIES GIANT

"Technology for the Needs of Tomorrow" is the ambition of everyone at Kubota. Through research and the development of new products for agriculture, industry, construction, and many other areas of modern life, we at Kubota hope to realize this goal.

GEANT DES NECESSITES FONDAMENTALES

"La Technologie pour les Besoins de Demain" est l'ambition de chacun CHEZ KUBOTA. A travers la recherche et le développement de nouveaux produits pour l'Agriculture, l'Industrie, la Construction et plusieurs autres domaines de la vie moderne, Nous KUBOTA, espérons atteindre ce but.

GIGANT DER FUNDAMENTALEN NOTWENDIGKEITEN

"Technologie für die Welt von Morgen"
Wir bei KUBOTA arbeiten ständig an diesem Ziel durch Forschung und Entwicklung neuer Produkte für den Agrarsektor, die Industrie, die Bauwirtschaft und viele andere Bereiche unserer modernen Zeit. Die Ziellinie verschiebt sich ständig, aber wir kommen ihr näher.

PRINTED in JAPAN
IMPRIME Au JAPON
DRUCK JAPAN