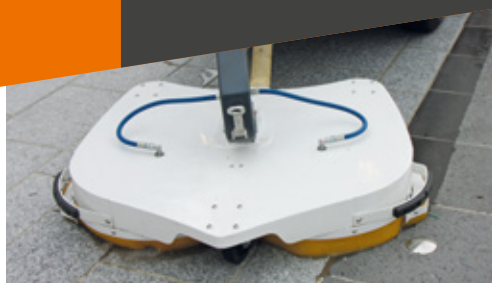




HOLDER

PROFESSIONAL HIGH-PRESSURE CLEANING

THE NEW WASHING SYSTEM CRISTAL – CH 3000 HP
FOR THE HOLDER MUVO



CONTAINER VOLUME

Water tank volume	2100 l
Fresh water tank (with suction)	1300 l
Dirty water tank (with suction)	800 l

VEHICLE DIMENSIONS WITH WASHING SYSTEM

Total height	2395 mm
Total length	5680 mm

WASHING UNIT

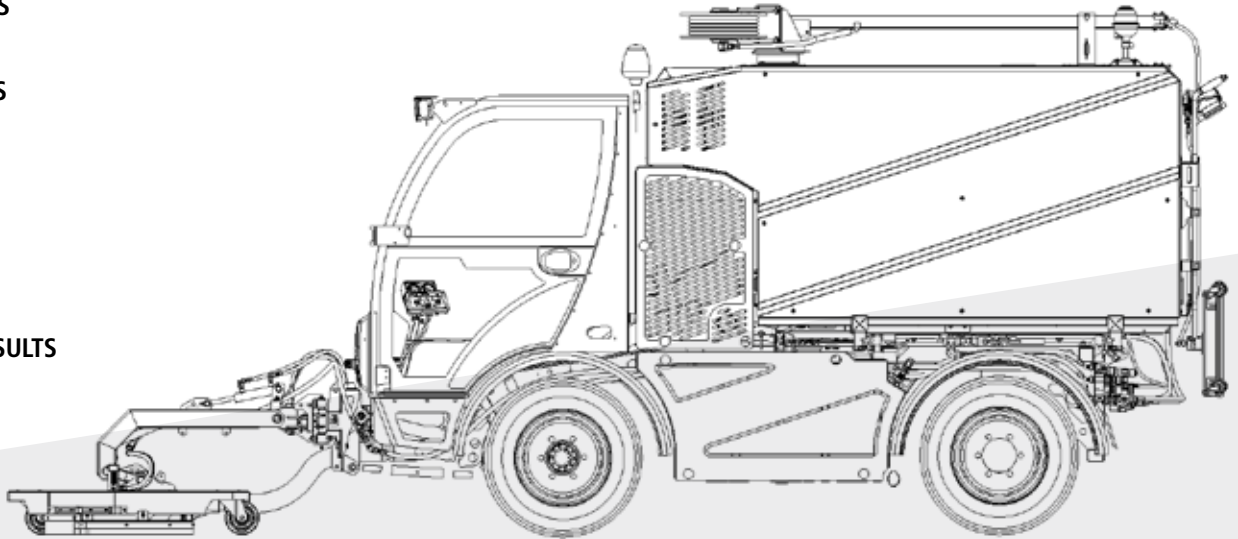
Water pressure	250 bar
Water flow rate	25 l/min
Suction output / volume	20,000 Pa / 800 m ³ /h

CLEANING HOOD DIMENSIONS

Width	1200 mm
Total operating width incl. L/R side offset of 550 mm	2300 mm

YOUR BENEFITS

- € COST SAVINGS
- 🕒 TIME SAVINGS
- ⚠️ SAFETY
- 😊 COMFORT
- 👍 WORKING RESULTS



CARRIER VEHICLE

- € Versatile system vehicle for deep-cleaning all surfaces: Courtyards, pavements, pedestrian zones and public spaces
- 👍
- € Easy to manoeuvre thanks to 4-wheel steering and crab steering
- 🕒

WATER TANK

- ⚠️ Robust aluminium tank
- € The large water capacity and the high water flow rate ensure an enormous operating range
- 🕒
- 👍 High pressure combined with hot water guarantees that your work will produce perfect results, even on severe levels of debris

CLEANING HOOD

- 👍 Front-mounted stainless steel cleaning hood, with two rotating spray arms (width of 1200 mm and side adjustment of ± 550 mm for a total cleaning width of 2300 mm)
- 👍 Optional washing bar fitted behind the hood
- 👍 Optional dirty water extraction with high capacity (fresh water 1300 l / dirty water 800 l)

HOT WATER OPTIONS

- 👍 One or two stainless steel boilers enable an operating temperature of up to 90 °C to be reached
- 👍 Anti-limescale system

MANUAL OPERATION OPTIONS

- 😊 Manual high-pressure stainless steel cleaning hood with three integrated rotating arms and a holder on the tank
- 😊 360° pivoting stainless steel hose holder, installed on the roof, incl. 12 m high-pressure hose
- 😊 Double-jet high-pressure lance with pressure regulation and holder

